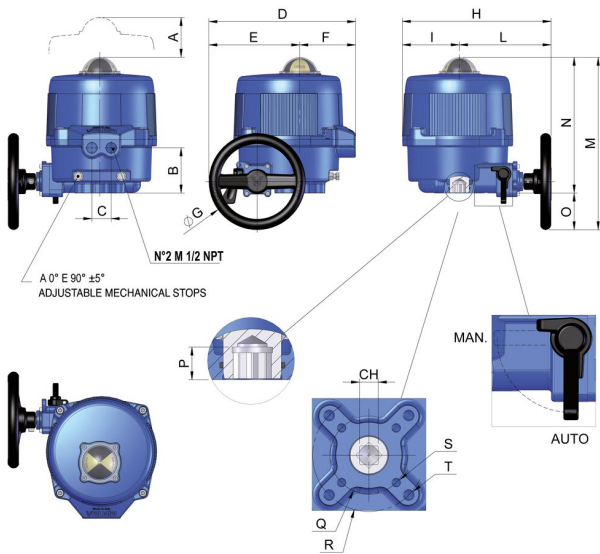


MOD. VB270M



Technical specifications



SIZE	PATTERN ISO 5211	CH	A	B	C	D	E	F	G	H	I	L	M	N	O	P	Q	R	S	T
VB270M	F07-F10	22	5.47	3.27	1.38	10.98	7.24	3.74	6.89	10.83	4.29	6.53	12.36	9.72	2.64	0.94	2.76	4.02	5/16-18 UNC 2B x 0.59"	3/8-16 UNC 2B x 0.59"