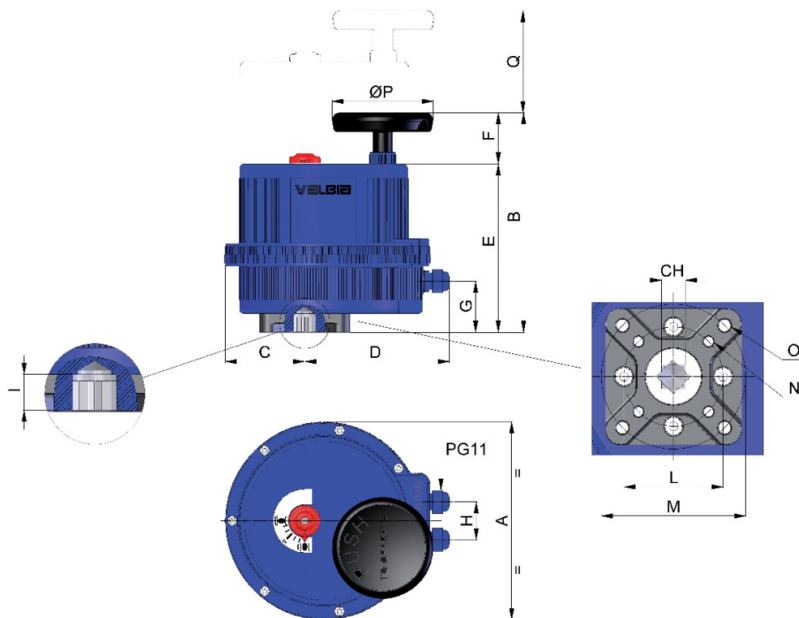


MOD. VB030



Technical specifications



SIZE	PATTERN ISO 5211	CH	A	B	C	D	E	F	G	H	I	L	M	N	O	ØP	Q
VB030	F03-F05*	11	6.18	7.40	2.38	5.10	5.75	1.65	1.30	1.42	0.47	1.42	1.97	10-24 UNC 2BX0.47	1/4-20 UNC 2BX0.51	2.56	3.94

*Upon request F04 or F07

Certifications



C US

CSA International