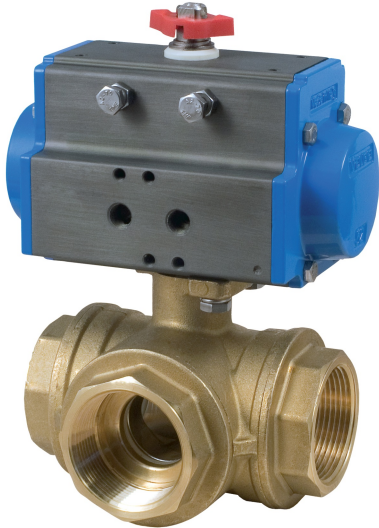


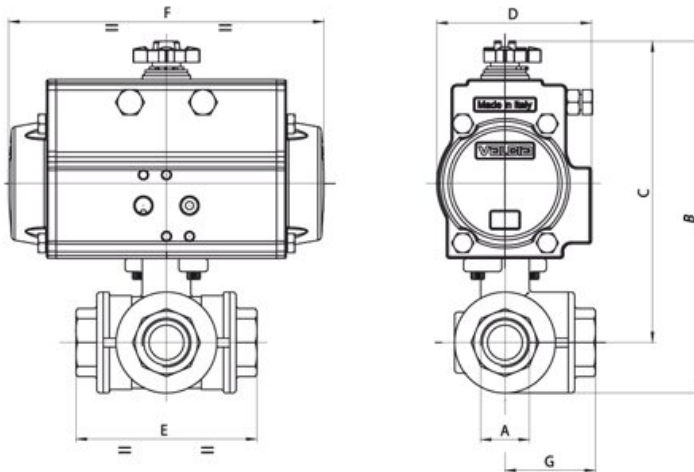
## 8P0131(T)



· DA - SR actuator with 3 way T-port brass ball valve direct mount (RB 355N).

· OPERATING CONDITIONS: fluid H<sub>2</sub>O - T 68°F - Actuator P 90 ÷ 100 PSI

### Technical specifications



SIZE	PSI	B	C	D	E	F	G	ACT.
-	400	7.02	6.08	3.17	3.74	6.46	1.87	SR 63
-	400	8.21	6.79	3.17	4.86	6.46	2.43	SR 63
-	400	7.48	6.3	3.17	4.39	6.46	2.20	SR 63
-	400	5.87	5.2	2.80	2.87	5.55	1.44	SR 52
-	400	5.87	5.2	2.80	2.64	5.55	1.32	SR 52
-	400	10.03	8.61	4.17	5.73	9.47	2.87	SR 85
-	400	11.25	9.06	4.17	6.93	9.47	3.47	SR 85
-	400	11.28	9.06	4.17	7.08	9.47	3.54	SR 85
-	400	6.01	5.29	2.80	3.19	5.55	1.60	SR 52
-	400	5.87	5.2	2.80	2.64	5.55	1.32	SR 52

