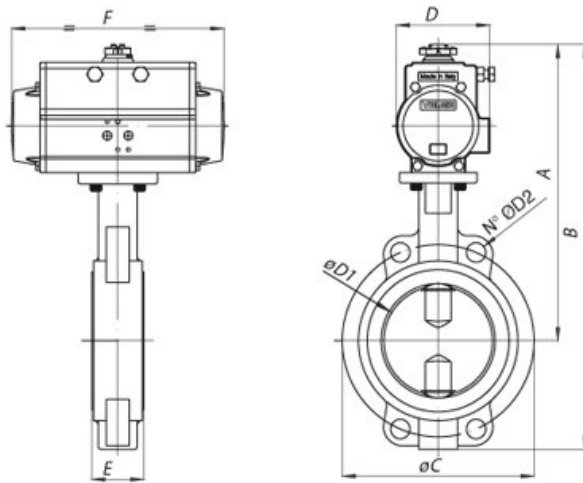


DA500S

DA-SR actuator, direct mount, Wafer body EPDM seats, SS disc butterfly valve.



Technical specifications



SIZE	ACT.	A	B	C	D	E	F	N°	ØD2	ØD1	WT/LBS
10"	DA 140	19.61	27.60	14.25	6.46	2.58	16.85	4	1.00	9.86	76.1
12"	DA 160	21.85	31.38	17.00	7.36	3.03	20.55	4	1.00	11.87	114.7
1 1/2"	DA 52	9.23	12.20	4.74	2.80	1.61	5.49	4	0.75	1.67	7.00
2"	DA 52	9.86	13.01	4.74	2.80	1.65	5.49	4	0.75	2.07	7.7
2 1/2"	DA 52	10.41	13.91	5.49	2.80	1.7	5.49	4	0.75	2.54	9.3
3"	DA 63	11.09	14.83	6.00	3.17	1.78	6.38	4	0.75	3.10	11.7
4"	DA 75	12.48	16.97	7.50	3.72	2.05	8.15	4	0.75	4.09	16.3
5"	DA 85	13.40	18.40	8.50	4.17	2.14	9.35	4	0.87	4.85	22.8
6"	DA 85	14.47	19.94	9.50	4.84	2.19	10.69	4	0.87	6.13	28.2
8"	DA 100	16.99	23.88	11.75	5.39	2.38	12.91	4	0.87	7.97	46.9

