

161N - 162N
COMPACT STYLE

Brass ball valve, FNPT threaded, full port.

- Pressure rating 600 WOG-150 WSP.
- Temperature range -4°F to +366°F.
- ANSI B1.20.1 connections.
- Blow-out proof stem, chrome plated brass ball.
- PTFE seats and double O-ring stem packing.
- 100% electronically tested in the open and closed position at 80 psi.
- Not to be used for drinking water.
- Valve to be used in fully open or fully closed position.

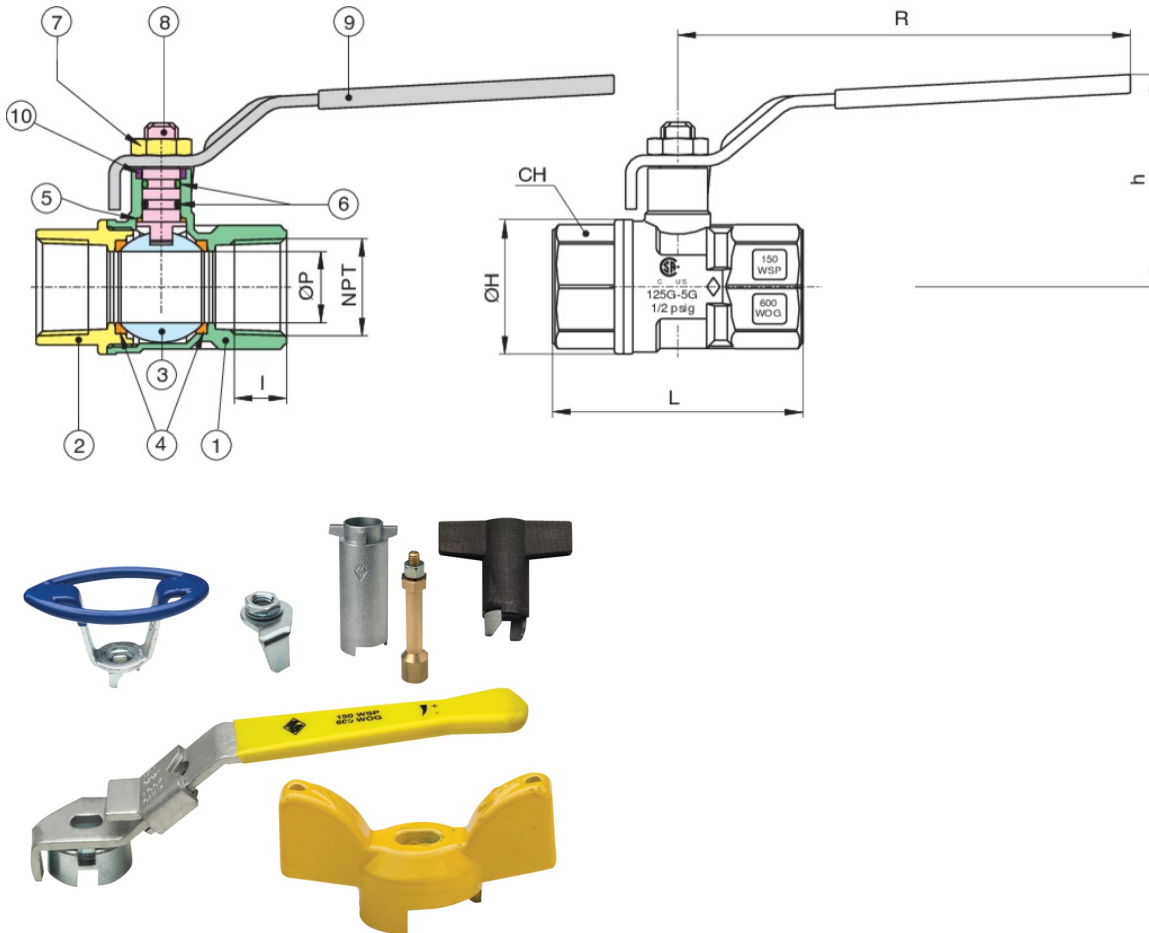
161N: LEVER HANDLE - size 1/2" to 4".

162N: T-HANDLE - size 1/2" to 1".

For sizes 1/4", 3/8" see 171N.

MEETS THE DESIGN CRITERIA OF MSS SP-110.

Technical specifications



The Buna O-ring is fitted to the stem of the valve as the best possible protection against potential gas leakage under extreme duty, or low pressure applications. A secondary PTFE stem seal will also assure that the valve is suitable for use up to 366°F.

| POSITION | PART NAME | MATERIAL | N.° PIECES |
|----------|----------------|--------------|------------|
| 1 | BODY | BRASS C37700 | 1 |
| 2 | END CONNECTION | BRASS C37700 | 1 |
| 3 | BALL | BRASS C37700 | 1 |
| 4 | BALL SEAT | PTFE | 2 |
| 5 | THRUST WASHER | PTFE | 1 |
| 6 | O-RING | FKM (VITON) | 1 |
| 6 | O-RING | NBR | 1 |
| 7 | NUT | STEEL CL04 | 1 |
| 8 | STEM | BRASS C38500 | 1 |
| 9 | HANDLE | STEEL DD11 | 1 |
| 10 | PACKING RING | PTFE | 1 |

| SIZE | OP | I | L | ØH | CH | R | H | CV | PSI | WEIGHT (LBS) |
|--------|------|------|------|------|------|------|------|---------|-----|--------------|
| 1/2" | 0.55 | 0.54 | 2.22 | 1.18 | 0.98 | 3.78 | 1.77 | 18.15 | 600 | 0.4 |
| 3/4" | 0.75 | 0.55 | 2.46 | 1.42 | 1.22 | 4.76 | 2.22 | 32.37 | 600 | 0.68 |
| 1" | 0.94 | 0.66 | 3.01 | 1.71 | 1.5 | 4.76 | 2.32 | 47.98 | 600 | 0.98 |
| 1 1/4" | 1.19 | 0.68 | 3.37 | 2.09 | 1.89 | 5.94 | 2.85 | 97.8 | 600 | 1.66 |
| 1 1/2" | 1.5 | 0.68 | 3.7 | 2.56 | 2.13 | 5.94 | 3.09 | 252.6 | 600 | 2.16 |
| 2" | 1.95 | 0.7 | 4.31 | 3.39 | 2.64 | 6.3 | 3.7 | 290.75 | 600 | 3.52 |
| 2 1/2" | 2.44 | 0.93 | 5.16 | 4.09 | 3.27 | 8.07 | 4.59 | 593.06 | 600 | 6.67 |
| 3" | 2.99 | 1.02 | 5.94 | 4.96 | 3.86 | 8.07 | 4.98 | 958.84 | 600 | 9.82 |
| 4" | 2.99 | 1.09 | 6.5 | 4.96 | 4.92 | 8.07 | 4.98 | 1526.59 | 600 | 12.57 |

WARNING: This product can expose you to chemicals including lead, which is known to the State of California to cause cancer and birth defects or other reproductive harm. For more information go to www.p65warnings.ca.gov.

Certifications



FM_400 WOG-up to 2"



CSA-up to 2"



UL-up to 2"



TSSA