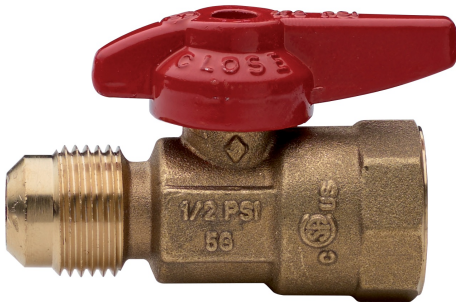


9281 FIP-FLARE

GAS BALL VALVE



Gas ball valve unibody design, standard port, FIP x FLARE threaded.

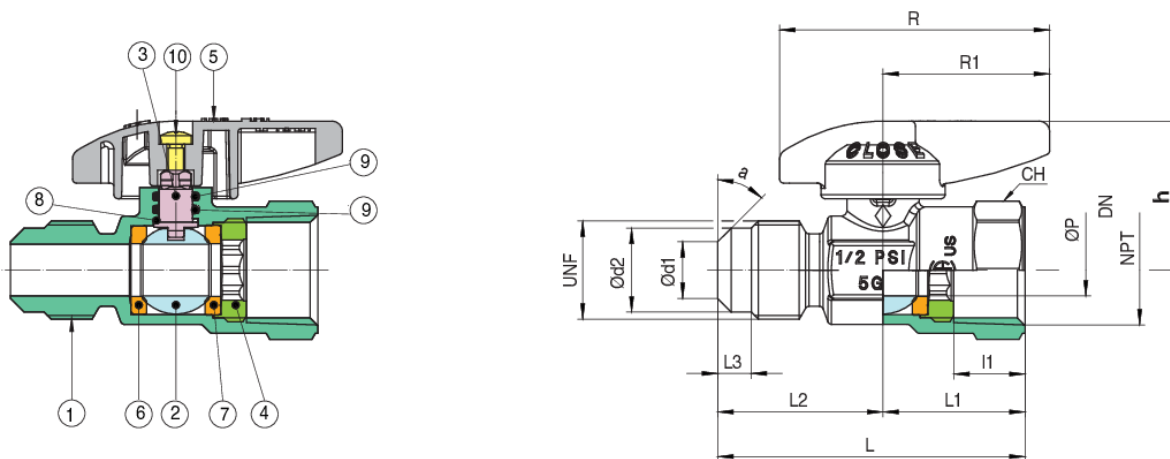
According to:

- CAN 1-9.1 - US REQUIREMENTS 3-88.
 - CGA CR 91-002 - ANSI Z21.15.
 - UL 125 "LP GAS" - UL 842 - SUBJECT 258.
 - ANSI B1.20.1 connections.
 - Blow-out proof stem, chrome plated brass ball.
 - PTFE seats.
 - 100% electronically tested in the open and closed position at 80 psi.
 - Valve to be used in fully open or fully closed position.
- 9281 : size 3/8" up to 1/2".

ONE PIECE BODY

MEETS THE DESIGN CRITERIA OF MSS SP-110.

Technical specifications



POSITION	PART NAME	MATERIAL	N.° PIECES
1	BODY	BRASS C37700	1
2	BALL	BRASS C38500	1
3	STEM	BRASS C38500	1
4	RING NUT	BRASS C38500	1
5	HANDLE	G ZN Al4 UNI 3717 ALLOY	1
6	BALL SEAT	PTFE	1
7	BALL SEAT	PTFE	1
8	THRUST WASHER	PE	1
9	O-RING	NBR	2
10	SCREW	STEEL	1

SIZE	UNF	NPT	OP	I1	L	L1	L2	L3	OD1	OD2	R	R1	A	CH	H	WEIGHT (LBS)
3/8" FIP X 3/8" FLARE	5/8"x18	3/8"x18	0.28	0.41	1.93	0.85	1.08	0.22	0.31	0.53	2.06	1.27	45	0.79	1.06	0.2
1/2" FIP X 3/8" FLARE	5/8"x18	1/2"x14	0.28	0.54	2.24	1.08	1.16	0.22	0.31	0.53	2.06	1.27	45	0.98	1.14	0.25
1/2" FIP X 1/2" FLARE	3/4"x16	1/2"x14	0.39	0.54	2.34	1.08	1.26	0.26	0.43	0.64	2.06	1.27	45	0.98	1.14	0.26

WARNING: This product can expose you to chemicals including lead, which is known to the State of California to cause cancer and birth defects or other reproductive harm. For more information go to www.p65warnings.ca.gov.

Certifications



CSA International



UL

