



161N LF - 162N LF COMPACT STYLE

Lead free brass ball valve, FNPT threaded, full port.

- Pressure rating 600 WOG-150 WSP.
- Temperature range -4°F to 366°F.
- ANSI B1.20.1 connections.
- Blow-out proof stem, SLT coated LF brass ball.
- PTFE seats and double O-ring stem packing.
- 100% electronically tested in the open and closed position at 80 psi.
- Valve to be used in fully open or fully closed position.

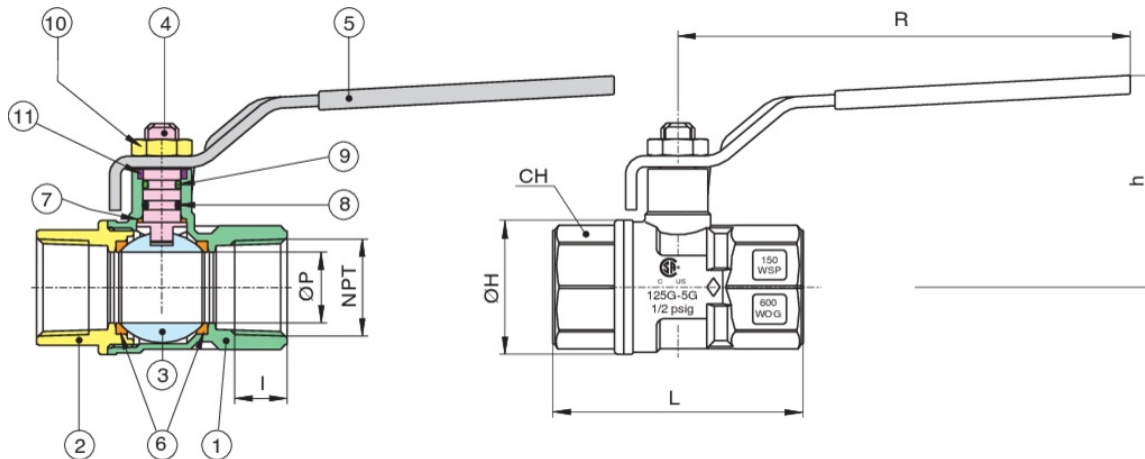
161N LF: LEVER HANDLE - size 1/2" to 4".

162N LF: T- HANDLE - size 1/2" to 1".

Sizes 1/4" and 3/8" see 171N LF.

MEETS THE DESIGN CRITERIA OF MSS SP-110.

Technical specifications



The Buna O-ring is fitted to the stem of the valve as the best possible protection against potential gas leakage under extreme duty, or low pressure applications. A secondary P.T.F.E stem seal will also assure that the valve is suitable for use up to 366°F.

POSITION	PART NAME	MATERIAL	N.° PIECES
1	BODY	LF BRASS C28500 *	1
2	END CONNECTION	LF BRASS C28500 *	1
3	BALL	LF BRASS C28500 *	1
3	BALL (2 1/2" to 4")	AISI 316-CF8M	-
4	STEM	LF BRASS C28500 *	1
5	HANDLE	STEEL DD11	1
6	BALL SEAT	PTFE	2
7	THRUST WASHER	PTFE	1
8	O-RING	NBR	1
9	O-RING	FKM (VITON)	1
10	NUT	STEEL CL04	1
11	PACKING RING	PTFE	1

* **Lead free** refers to the wetted surface of pipe, fittings and fixtures in potable water systems that have a weighted average lead content not more than 0.25%. Source: California health & Safety code (116875). Vermont Act 193.

SIZE	OP	I	L	ØH	CH	R	H	CV	PSI	WEIGHT LBS
1/2"	0.55	0.54	2.22	1.22	0.98	3.78	1.77	18.15	600	0.4
3/4"	0.75	0.55	2.46	1.46	1.22	4.76	2.22	32.37	600	0.67
1"	0.94	0.66	3.01	1.76	1.5	4.76	2.32	47.98	600	1.02
1 1/4"	1.19	0.68	3.37	2.11	1.89	5.94	2.85	97.8	600	1.63
1 1/2"	1.5	0.68	3.7	2.64	2.13	5.94	3.09	252.6	600	2.19
2"	1.95	0.7	4.31	3.39	2.64	6.3	3.7	290.75	600	4.08
2 1/2"	2.44	0.93	5.16	4.09	3.27	8.07	4.59	593.06	600	8.18
3"	2.99	1.02	5.94	4.96	3.86	8.07	4.98	958.84	600	12.56
4"	3.94	1.09	7.6	6.54	4.92	10.31	6.56	1526.59	600	24.69

WARNING: This product can expose you to chemicals including lead, which is known to the State of California to cause cancer and birth defects or other reproductive harm. For more information go to www.p65warnings.ca.gov.

Certifications



UL certified



HEALTH EFFECTS



FM 400 WOG



CSA-up to 2"



UL-up to 2"



TSSA