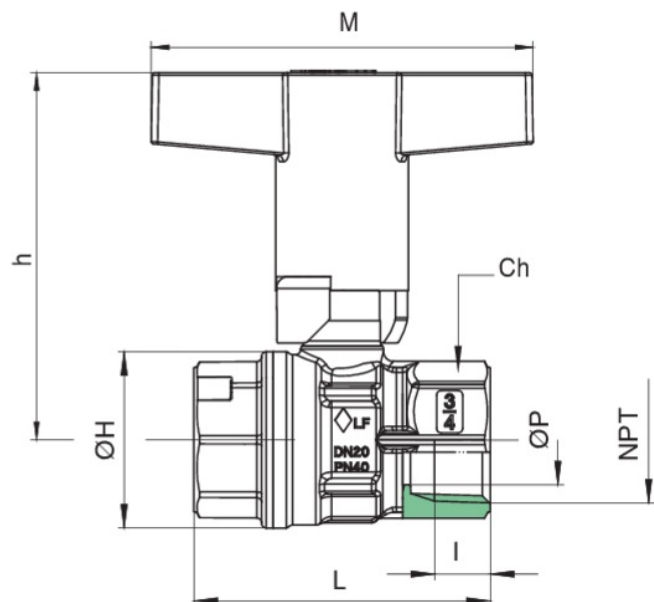
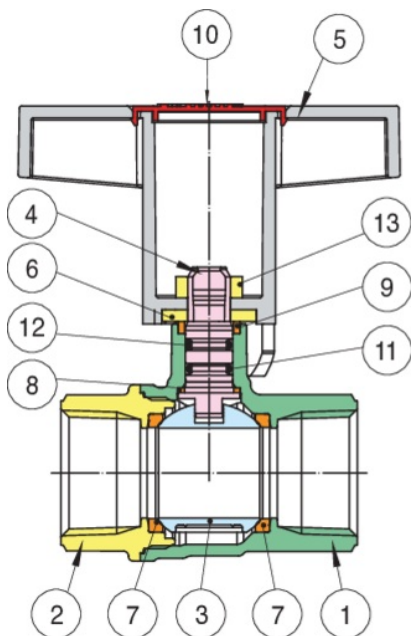


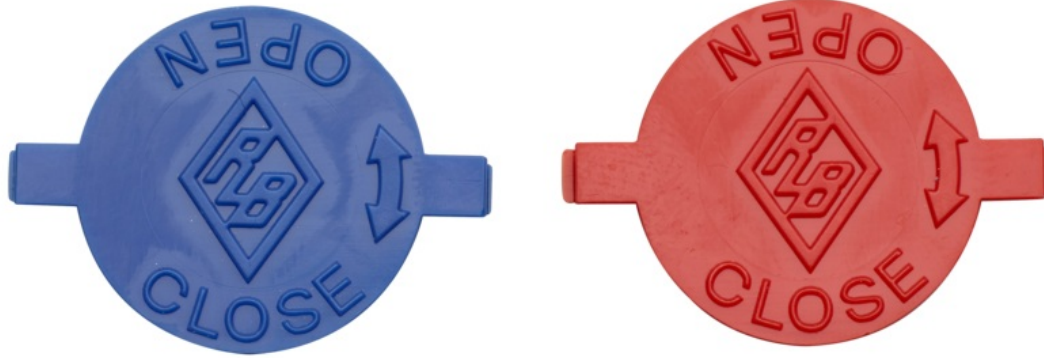


## 161N LFPT COMPACT STYLE

- Lead free brass ball valve, FNPT threaded, full port.
- Pressure rating 600 WOG-150WSP.
  - Temperature range -4°F to 366°F.
  - ANSI B1.20.1 thread depths.
  - High tensile strength forged lead-free brass.
  - Blow-out proof stem, coated LF brass ball.
  - 100% electronically tested in the open and closed position at 80 psi.
  - Valve to be used in fully open or fully closed position.
  - Ultimate bubble tight dual O-ring stem seals.
  - Handle-polyamide thermal plastic T style.
  - Vapor barrier design, ideal for all insulated heating/chilled water piping.
- 161N LFPT: size 1/2" to 2".

### Technical specifications





POSITION	PART NAME	MATERIAL	N.° PIECES
1	BODY	LF BRASS C28500*	1
2	END CONNECTION	LF BRASS C28500*	1
3	BALL	LF BRASS C28500*	1
4	STEM	LF BRASS C28500*	1
5	T-HANDLE	PA6.6	1
6	90° STOP	STEEL DD11	1
7	BALL SEAT	PTFE	2
8	THRUST WASHER	PTFE	1
9	PACKING RING	PTFE	1
10	CAP	ABS	1
11	O-RING	NBR	1
12	O-RING	FKM (VITON)	1
13	NUT	STEEL CL04	1

SIZE	ØP	I	L	ØH	CH	M	H	CV	PSI	WEIGHT (LBS)
1/2"	0.55	0.54	2.22	1.22	0.98	3.15	2.8	18.15	600	0.48
3/4"	0.75	0.55	2.46	1.46	1.22	3.15	3.05	32.37	600	0.75
1"	0.94	0.66	3.01	1.76	1.5	3.15	3.15	47.98	600	1.08
1 1/4"	1.19	0.68	3.37	2.11	1.89	4.72	4.34	97.8	600	1.82
1 1/2"	1.5	0.68	3.7	2.64	2.13	4.72	4.57	252.6	600	2.41
2"	1.95	0.7	4.31	3.39	2.64	4.72	4.96	290.75	600	4.19

## Certifications



UL certified

HEALTH  
EFFECTS  
US-CA NSF372  
NSF61

HEALTH EFFECTS



TSSA