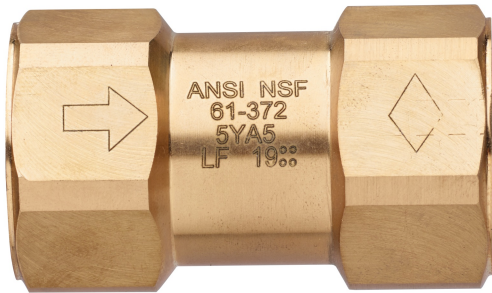


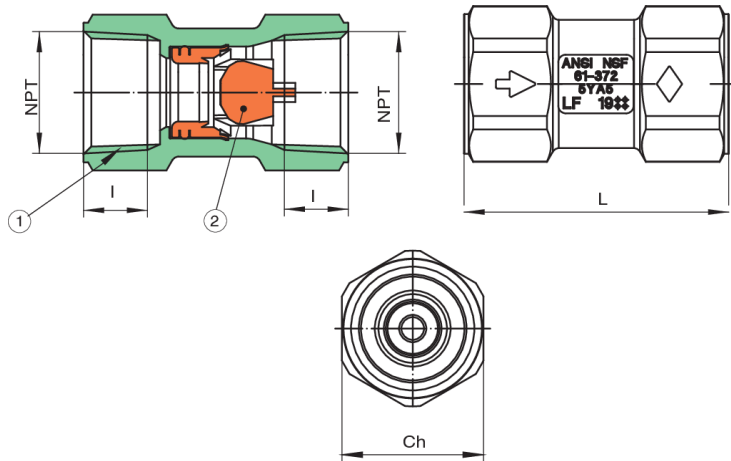
100022 LF CHECK VALVE



Unibody check valve, high flow rate, lead free brass, FNPT threaded, in-line spring loaded check valve.

- Pressure rating size 400 WOG.
 - Low cracking pressure 1/2 psi.
 - Wide temperature range: -4°F to 210°F.
 - ANSI B1.20.1 connections.
 - Soft seat for bubble tight shutoff, spring loaded for fast seating action.
 - Flow pattern to minimize head loss.
 - Perfect sealing both at high and low pressure.
 - High technology materials to ensure best resistance in any condition.
- 100022 LF: size 1/2" to 2".

Technical specifications



| POSITION | PART NAME | MATERIAL | N.° PIECES |
|----------|-------------|------------------|------------|
| 1 | BODY | LF BRASS C28500* | 1 |
| 2 | CHECK VALVE | POM | 1 |

* **Lead free** refers to the wetted surface of pipe, fittings and fixtures in potable water systems that have a weighted average lead content not more than 0.25%. Source: California health & Safety code (116875). Vermont Act 193.

| SIZE | I | L | CH | PSI | CV | WEIGHT (LBS) |
|--------|------|------|------|-----|-------|--------------|
| 1/2" | 0.71 | 2.22 | 0.96 | 400 | 5.32 | 0.24 |
| 3/4" | 0.91 | 2.87 | 1.24 | 400 | 10.17 | 0.38 |
| 1" | 0.94 | 3.17 | 1.5 | 400 | 17.34 | 0.69 |
| 1 1/4" | 1.02 | 3.33 | 1.75 | 400 | 25.43 | 0.82 |
| 1 1/2" | 1.42 | 4.41 | 2.13 | 400 | 36.99 | 1.12 |
| 2" | 1.57 | 5.24 | 2.6 | 400 | 63.58 | 1.8 |

WARNING: This product can expose you to chemicals including lead, which is known to the State of California to cause cancer and birth defects or other reproductive harm. For more information go to www.p65warnings.ca.gov.

Certifications



UL certified

HEALTH
EFFECTS
LE-CA NSF372
NSF61

HEALTH EFFECTS

