



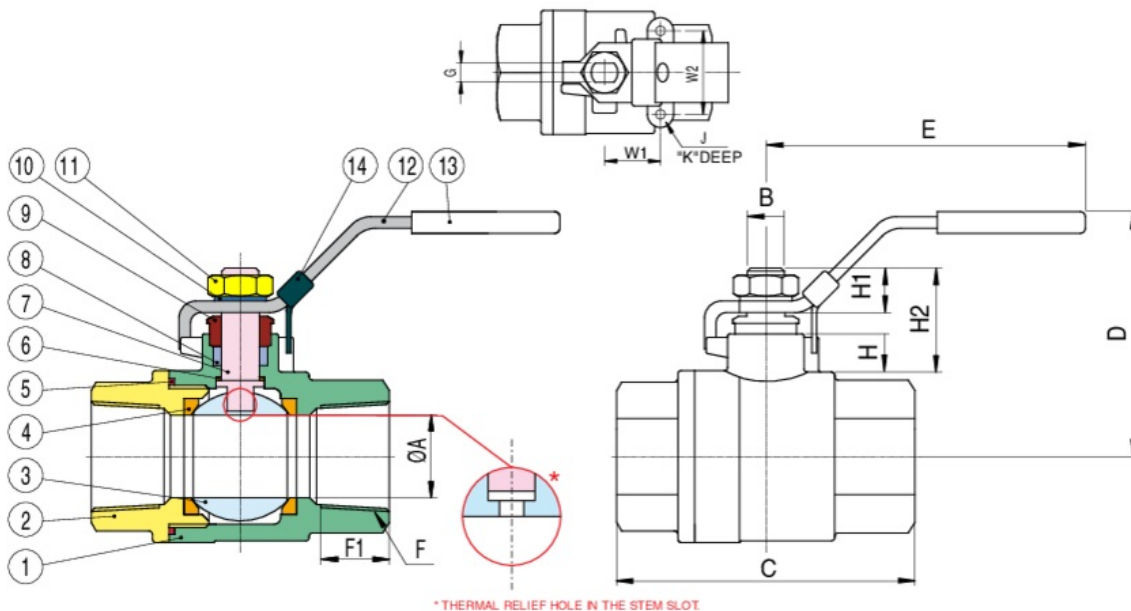
700 LL STAINLESS STEEL BALL VALVE

2-piece stainless steel, FNPT threaded ball valve with locking handle, full port vented ball.

- Working pressure is 2000 psi (1/4" to 1"), 1500 psi (1 1/4" to 2"), 1000 psi (2 1/2" to 4") - 150 psi steam.
- Temperature range -40°F to 450°F.
- Self adjusting stem packing.
- Blow-out proof stem design.
- 100% air tested under water at 80 psi.
- Mounting pad for actuator.
- ANSI B1.20.1 connections.
- NACE MR 0175.

700LL: size 1/4" to 4".

Technical specifications



POSITION	PART NAME	MATERIAL	N.° PIECES
1	BODY	CF8M	1
2	END CAP	CF8M	1
3	BALL	AISI 316-CF8M	1
4	SEAT	RTFE	2
5	JOINT GASKET	PTFE	1
6	THRUST WASHER	PTFE	1
7	STEM	AISI 316	1
8	V RING PACKING	PTFE	1
9	GLAND BUSH	AISI 304	1
10	STEM WASHER	AISI 304	1
11	STEM NUT	AISI 304	1
12	HANDLE	AISI 304	1
13	HANDLE SLEEVE	VINYL	1
14	LOCKING DEVICE	AISI 304	1

SIZE	ØA	B	C	D	E	F1	J	K	G	H	H1	H2	W1	W2	CV	WEIGHT LBS
1/4"	0.45	0.31	2.16	1.96	3.93	0.59	10-24UNC	0.23	0.2	0.31	0.38	0.87	0.5	1.12	22	0.51
3/8"	0.49	0.31	2.16	1.96	3.93	0.59	10-24UNC	0.23	0.2	0.31	0.38	0.87	0.5	1.12	27	0.51
1/2"	0.59	0.37	2.55	2.36	5.11	0.62	10-24UNC	0.19	0.26	0.41	0.43	1	0.5	1.12	37	0.83
3/4"	0.78	0.37	2.93	2.51	5.11	0.66	10-24UNC	0.27	0.26	0.41	0.43	1	0.88	1.37	68	1.14
1"	0.98	0.43	3.46	2.79	6.49	0.94	10-24UNC	0.27	0.31	0.45	0.53	1.24	0.92	1.37	109	2.02
1 1/4"	1.25	0.43	4.01	3.07	6.49	0.86	1/4-20UNC	0.27	0.31	0.45	0.53	1.24	1	1.5	185	2.7
1 1/2"	1.49	0.55	4.33	3.38	7.48	0.88	1/4-20UNC	0.27	0.38	0.47	0.61	1.38	1	1.5	268	4.18
2"	1.96	0.55	4.92	3.74	7.48	1.02	1/4-20UNC	0.27	0.38	0.37	0.61	1.02	1	1.5	486	6.86
2 1/2"	2.56	0.78	6.56	5.59	9.72	1.18	1/4-20 UNC	0.27	0.47	0.65	1.08	2.33	1.38	2.17	843	13.20
3"	3.15	0.78	7.60	6.02	9.72	1.31	1/4-20 UNC	0.27	0.47	0.73	1.08	2.32	1.38	2.17	1277	22.30
4"	3.94	0.94	10.24	7.18	12.60	1.54	1/4-20 UNC	0.27	0.63	0.98	1.57	3.13	1.97	2.36	2055	46.30