



3000 - 3100

CARBON STEEL - STAINLESS STEEL

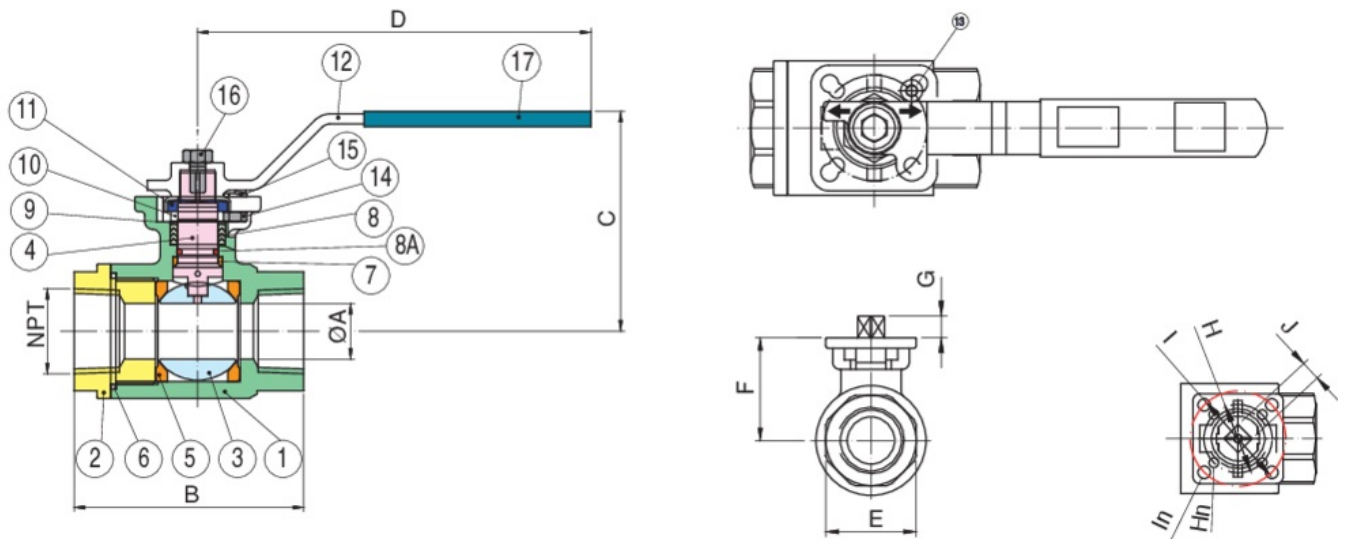
2-piece, FNPT threaded, direct mount ball valve full port.

- Pressure rating 3000 psi (100°F)
- Temperature range -20°F to 185°F.
- Blow-out proof stem/Antistatic design.
- ISO 5211 mounting pad.
- NACE MR-0175.

3000: size 1/4" to 1 1/2", 2" reduced port.

3100: size 1/4" to 1 1/2", 2" reduced port.

Technical specifications



POSITION	PART NAME	MATERIAL	N.º PIECES
1	BODY	CF8M/WCB	1
2	END CAP	CF8M/WCB	1
3	BALL	CF8M	1
4	ANTI-STATIC STEM	AISI 316	1
5	BALL SEAT	DELRIN	2
6	BODY SEAL	PTFE	1
7	THRUST WASHER	PTFE	1
8	STEM PACKING	PTFE	1
8A	O-RING	FKM (VITON)	1
9	THRUST WASHER	50%SS-50% PTFE	1
10	STEM NUT	AISI 304	1
11	LOCK SADDLE	AISI 304	1
12	HANDLE	AISI 304	1
13	STOP BOLT	AISI 304	1
14	STOP NUT	AISI 304	1
15	STOP WASHER	AISI 304	1
16	HANDLE BOLD	AISI 304	1
17	HANDLE SLEEVE	VINYL	1

SIZE	ØA	B	C	D	E	F	G	ISO 5211 I	HN	IN	J MM	CV	TORQUE IN-LBS	WEIGHT LBS
1/4"	0.38	2.95	2.31	6.3	1.02	1.61	0.31	F03-F04 1.42"-1.65"	0.22	0.22	9	5.3	101	1.4
3/8"	0.38	2.95	2.31	6.3	1.02	1.61	0.31	F03-F04 1.42"-1.65"	0.22	0.22	9	8	104	1.4
1/2"	0.5	2.95	2.31	6.3	1.28	1.61	0.31	F03-F04 1.42"-1.65"	0.22	0.22	9	19	130	1.5
3/4"	0.69	3.19	2.6	6.3	1.51	1.72	0.31	F03-F04 1.42"-1.65"	0.22	0.22	9	35	156	2
1"	0.87	3.58	3.02	6.3	1.86	2.11	0.39	F04-F05 1.65"-1.97"	0.28	0.24	11	50	208	3.1
1 1/4"	1.14	4.33	3.19	6.3	2.32	2.32	0.39	F04-F05 1.65"-1.97"	0.28	0.24	11	110	390	4.8
1 1/2"	1.37	4.76	3.84	8.27	2.96	2.96	0.51	F05-F07 1.97"-2.76"	0.36	0.28	14	180	468	8.1
2"	1.37	5.71	4.14	8.27	2.96	2.96	0.51	F05-F07 1.97"-2.76"	0.36	0.28	14	210	468	10.5