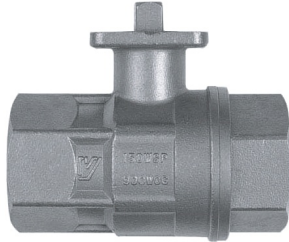


## 700076

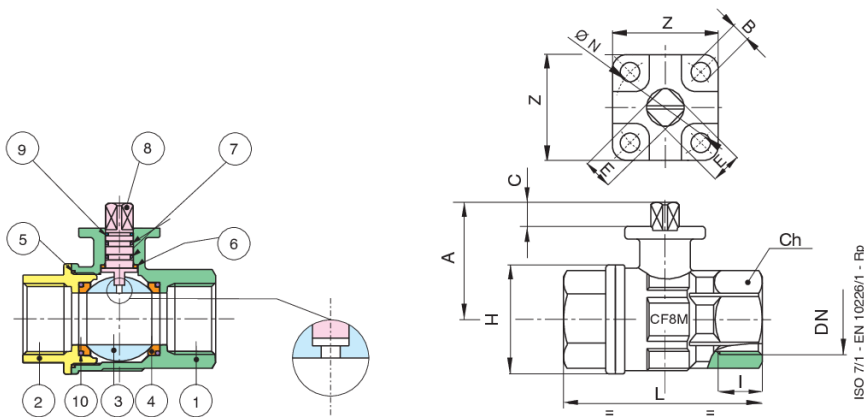
### STAINLESS STEEL DIRECT MOUNT BALL VALVE



- 2-piece stainless steel FNPT threaded, direct mount ball valve, full port.
- Pressure rating: 1000 psi 1/4" to 2", 800 psi 2 1/2" to 3", 150 psi steam.
  - Temperature -4°F to +366°F.
  - NSF 61, 372 certified.
  - Blow-out proof stem.
  - PTFE seats with O-ring backing for low operating torque.
  - PTFE seals and double O-ring stem packing.
  - 100% electronically tested in the open and closed position at 80 psi.
  - ISO 5211 mounting pad.
  - ANSI B1.20.1 connections
- 700076: size 1/4" to 3".

COMPLIES WITH NACE MR 0175/ISO 15156 AND NACE MR 0103.

### Technical specifications



POSITION	PART NAME	MATERIAL	N.° PIECES
1	BODY	CF8M	1
2	END CONNECTION	CF8M	1
3	BALL	AISI 316 (CF8M)	1
4	BALL SEAT	PTFE	2
5	SEAT	PTFE	1
6	THRUST WASHER	PTFE	1
7	O-RING	FKM	2
8	STEM	AISI 316	1
9	STEM SEAT	PTFE	1
10	O-RING (1/2"-2")	FKM	2

SIZE	I	L	H	CH	A	C	E MM	ISO 5211	B	Z	CV	PSI	WEIGHT LBS	TORQUE IN-LBS*
1/4"	0.59	2.56	1.44	1.02	1.78	0.26	9	F03/F041.42-1.65	0.24	1.65	7.91	1000	0.95	60
3/8"	0.59	2.56	1.44	1.02	1.78	0.26	9	F03/F041.42-1.65	0.24	1.65	10.22	1000	0.89	60
1/2"	0.59	2.63	1.35	1.06	1.63	0.35	9	1.42(ISO F03)	0.23	1.49	22.21	1000	0.68	53.1
3/4"	0.64	3.07	1.65	1.25	1.71	0.35	9	1.42 (ISO F03)	0.23	1.49	40.5	1000	0.91	53.1
1"	0.75	3.54	2.02	1.61	2.1	0.35	9	1.42 (ISO F03)	0.23	1.49	74.63	1000	1.35	53.1
1 1/4"	0.84	3.93	2.53	1.96	2.24	0.35	9	1.42 (ISO F03)	0.23	1.49	120.1	1000	2.22	53.1
1 1/2"	0.84	4.4	3.03	2.16	2.91	0.43	11	1.97 (ISO F05)	0.27	1.96	201.32	1000	3.69	150.46
2"	1.01	5.31	3.81	2.75	3.27	0.43	11	1.97 (ISO F05)	0.27	1.96	348.6	1000	6.49	150.46
2 1/2"	1.19	6.3	4.88	3.43	4.37	0.55	14	2.76 (ISO F07)	0.35	2.52	633	800	13.36	274
3"	1.31	7.09	5.71	4.13	4.72	0.55	14	2.76 (ISO F07)	0.35	2.52	1012.18	800	20.94	354

\*Torque values in the table are measured in laboratory tests under the following conditions:

TEMPERATURE: 68°F - PRESSURE: 0 psi - FLUID: PURIFIED WATER

# Certifications



UL certified

HEALTH  
EFFECTS  
M-GA-NSF372  
NSF61

HEALTH EFFECTS