

## 380S

### MINI BALL VALVE



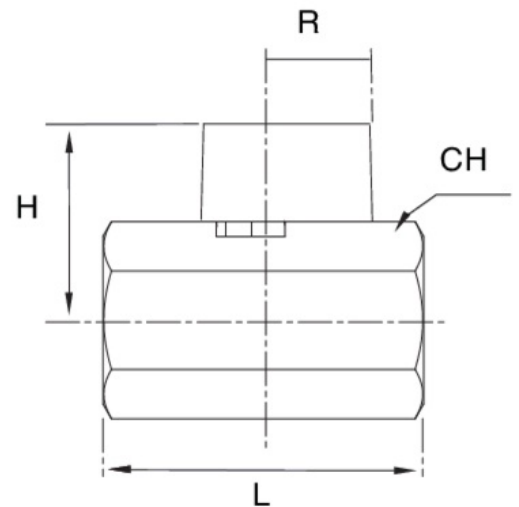
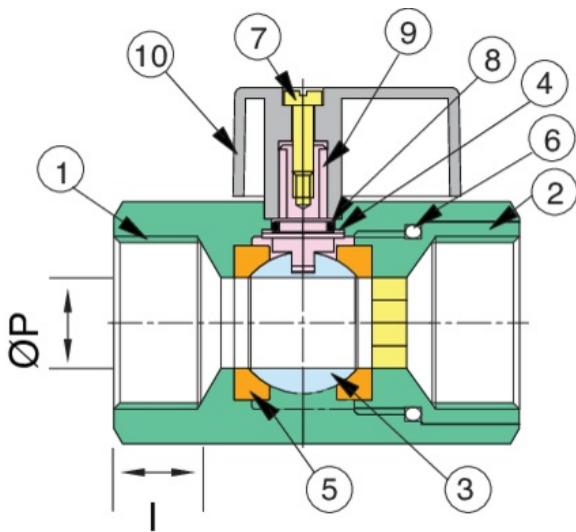
Stainless steel ball valve mini series, standard port.

- Pressure rating 800 psi WOG.
- Temperature -4°F to +350°F.
- Stem O-ring, seal PTFE.
- PTFE seats.
- Stainless steel body, ball and stem.
- Wedge lever handle.
- ANSI B1.20.1 connections.

380S: FNPT threaded - size 1/4" to 1/2".

380SM: MNPT x FNPT threaded - size 1/4" to 1/2".

## Technical specifications



POSITION	PART NAME	MATERIAL	N.° PIECES
1	BODY	AISI 316	1
2	RETAINING BUSH	AISI 316	1
3	BALL	AISI 316	1
4	BALL SEAT	PTFE	1
5	BALL SEAT	PTFE	1
6	O-RING	FKM (VITON)	1
7	SCREW	AISI 304	1
8	O-RING	FKM (VITON)	1
9	STEM	AISI 316	1
10	HANDLE	ABS	1

SIZE	ØP	CH	I	H	L	R	CV	PSI	WEIGHT LBS
1/4"	0.31	0.82	0.39	1.16	1.69	0.8	5	800	0.42
3/8"	0.31	0.82	0.4	1.16	1.69	0.8	3.13	800	0.37
1/2"	0.39	0.98	0.53	1.24	2.16	0.8	6.26	800	0.37