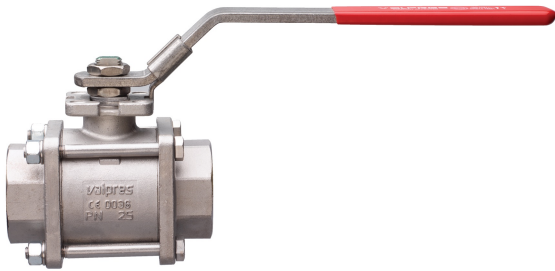


710190

STAINLESS STEEL 3-PC BALL VALVE FOR STEAM



3-piece stainless steel ball valve for steam, full port.

- Steam pressure to 250 psi.
- Working pressure is 1000 psi (1/4" to 1/2"), 600 psi (3/4" to 1"), 365 psi (1 1/4" to 2"), 250 psi (2 1/2" to 4").
- Temperature range: -4°F to 406° F.
- Blow-out proof stem, adjustable stem packing.
- ISO 5211 mounting pad with double "D" stem.
- 100% electronically tested in the open and closed position at 80 psi.
- TUV T.A. Luft approved.
- 25% carbon filled PTFE ball seats.
- Standard Latch Lock Handle.

710190: NPT THREADED - ANSI B1.20.1 CONNECTIONS - size 1/4" to 4".

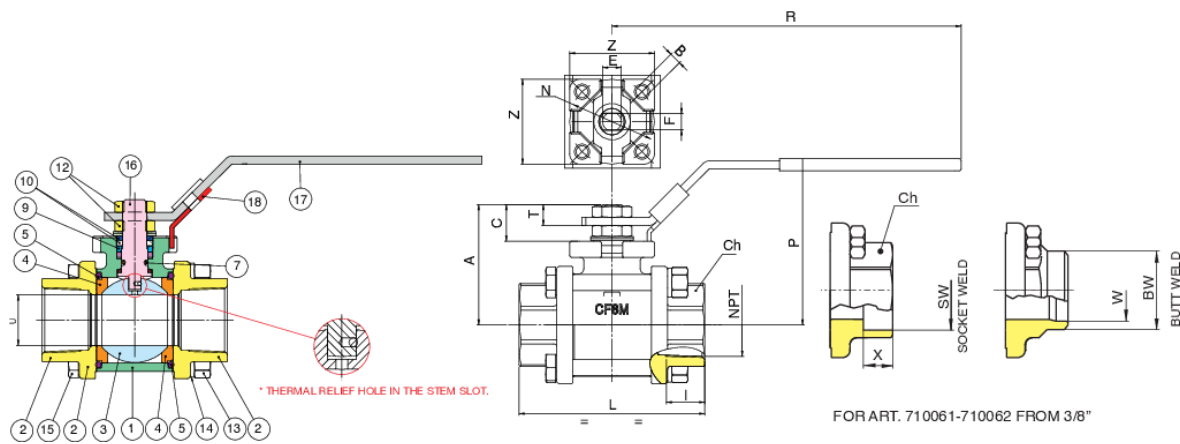
710061: SOCKET WELD - size 3/8" to 4".

710062: BUTT WELD - size 3/8" to 4".

* On request available with gas Antistatic Device.

COMPLIES WITH NACE MR 0175/ISO 15156 AND NACE MR 1103.

Technical specifications



POSITION	PART NAME	MATERIAL	N.° PIECES
1	BODY	A316	1
2	END CONNECTION	A316	2
3	BALL	A479-TP316/ A351-CF8M	1
4	BALL SEAT	RPTFE	2
5	O-RING	FKM-PEROX	2
6	STEM SEAL	RPTFE	1
7	O-RING	FKM (VITON)	1
8	STEM SEAL	RPTFE	1
9	PACKING GLAND	AISI 316 (1/4"-2") STEEL (2 1/2"-4")	1
10	END STOP	AISI 430 (1/4"-2") STEEL (2 1/2"-4")	2
11	SPRING WASHER	STEEL (2 1/2"-4")	2
12	NUT	AISI 304 (1/4"-2") STEEL (2 1/2"-4")	2
13	BOLT	AISI 304 (1/4"-2") STEEL (2 1/2"-4")	4
14	WASHER	AISI 304 (1/4"-2") STEEL (2 1/2"-4")	4
15	NUT	AISI 304 (1/4"-2") STEEL (2 1/2"-4")	4
16	STEM	A479-TP316	1
17	HANDLE	AISI 430	1
18	LOCKING HANDLE	AISI 430	1

SIZE	U	I	SW	X	BW	W	L	CH	R	P	A	C	T	E	F	ISO 5211	B	CV	PSI	WEIGHT LBS
1/4"	0.39	0.43	-	-	-	-	2.24	0.87	4.33	1.97	1.38	0.53	0.35	0.31	0.2	-	-	6.4	250	0.65
3/8"	0.39	0.45	0.72	0.37	0.67	0.49	2.24	0.87	4.33	1.97	1.38	0.53	0.35	0.31	0.2	-	-	9.88	250	0.63
1/2"	0.59	0.59	0.88	0.37	0.84	0.62	2.56	1.06	5.16	2.52	1.85	0.59	0.39	0.39	0.28	F03	0.24	22.33	250	1.13
3/4"	0.79	0.64	1.09	0.44	1.05	0.83	2.99	1.26	5.16	2.68	2.05	0.63	0.39	0.39	0.28	F04	0.22	40.7	250	1.57
1"	0.98	0.75	1.36	0.5	1.31	1.05	3.62	1.61	6.85	3.11	2.36	0.77	0.49	0.47	0.31	F04	0.24	75	250	2.64
1 1/4"	1.26	0.84	1.7	0.56	1.66	1.38	4.17	1.97	6.85	3.27	2.52	0.77	0.49	0.47	0.31	F04	0.22	120.7	250	3.75
1 1/2"	1.57	0.84	1.95	0.63	1.9	1.61	4.57	2.17	9.84	3.94	3.11	0.94	0.65	0.63	0.39	F05	0.26	202.33	250	5.62
2"	1.97	1.01	2.44	0.69	2.37	2.07	5.35	2.76	9.84	4.21	3.39	0.94	0.65	0.63	0.39	F05	0.26	350.35	250	8.71
2 1/2"	2.56	1.19	3.01	0.79	2.87	2.47	6.02	3.54	12.64	4.96	4.06	1.1	0.71	0.79	0.55	F07	M8	634.53	250	18.09
3"	3.15	1.31	3.52	0.79	3.5	3.07	7.09	4.13	12.64	5.39	4.49	1.1	0.71	0.79	0.55	F07	M8	1014.53	250	28.34
4"	3.94	1.55	4.53	0.79	4.5	4.03	8.54	5.11	15	6.14	5.39	1.36	0.87	0.94	0.71	F10	M10	1585.23	250	47.58