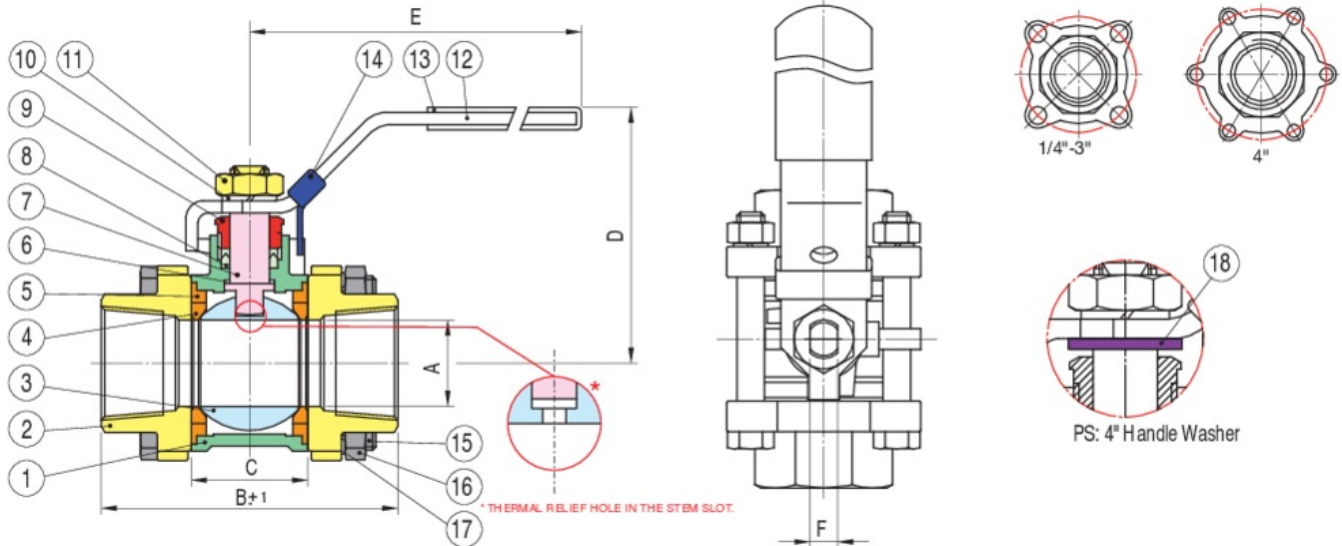




710LL FNPT - 711LL SW - 712LL BW

- 3-piece ball valve, with latch locking lever, full port.
- Pressure rating 1/4" to 2" 1000 psi, 2 1/2" to 4" 800 psi - 150 psi steam.
 - Temperature range -40°F + 440°F.
 - Blow-out proof stem, adjustable multi-layer V-ring stem packaging.
 - TFM 1600 seats, PTFE packing and thrust washer.
- 710 LL: FNPT THREADED - size 1/4" to 4".
 711 LL: SOCKET WELD - size 1/4" to 4".
 712 LL: BUTT WELD - size 1/4" to 4".

Technical specifications



POSITION	PART NAME	MATERIAL	N.° PIECES
1	BODY	CF8M	1
2	END CAP	CF8M	2
3	BALL	AISI 316	1
4	SEAT	TFM1600	2
5	JOIN GASKET	PTFE	2
6	STEM SEAL	PTFE	1
7	STEM	AISI 316	1
8	STEM PACKING	PTFE	*
9	GLAND NUT	AISI 304	1
10	STEM WASHER	AISI 304	1
11	STEM NUT	AISI 304	1
12	HANDLE	AISI 304	1
13	HANDLE SLEEVE	VINYL	1
14	LOCKING DEVICE	AISI 304	1
15	BOLT	AISI 304	*
16	BOLT NUT	AISI 304	*
17	BOLT WASHER	AISI 304	*
18	HANDLE WASHER	AISI 304	1

* Depending on size.

SIZE	A	B	C	D	E	F	CV	WEIGHT LBS
1/4"	0.46	2.23	0.73	2.13	4.02	0.2	8	0.77
3/8"	0.5	2.23	0.73	2.13	4.02	0.2	10	0.77
1/2"	0.59	2.59	0.93	2.52	5.2	0.26	15	1.23
3/4"	0.79	3	1.1	2.64	5.2	0.26	34	1.65
1"	0.98	3.39	1.34	2.95	6.58	0.32	56	2.29
1 1/4"	1.26	4.05	1.67	3.15	6.58	0.32	85	3.84
1 1/2"	1.5	4.7	2.09	3.54	7.56	0.38	125	5.31
2"	1.97	5.17	2.54	3.86	7.56	0.38	250	8.07
2 1/2"	2.56	6.46	3.43	5.39	9.92	0.47	320	15.65
3"	3.15	7.19	3.9	5.79	9.92	0.47	580	23.15
4"	3.94	9.28	5	6.89	11.1	0.59	1020	45.78