



720LL FNPT - 721LL SW - 722LL BW

3-piece direct mount ball valve with latch locking handle, full port.

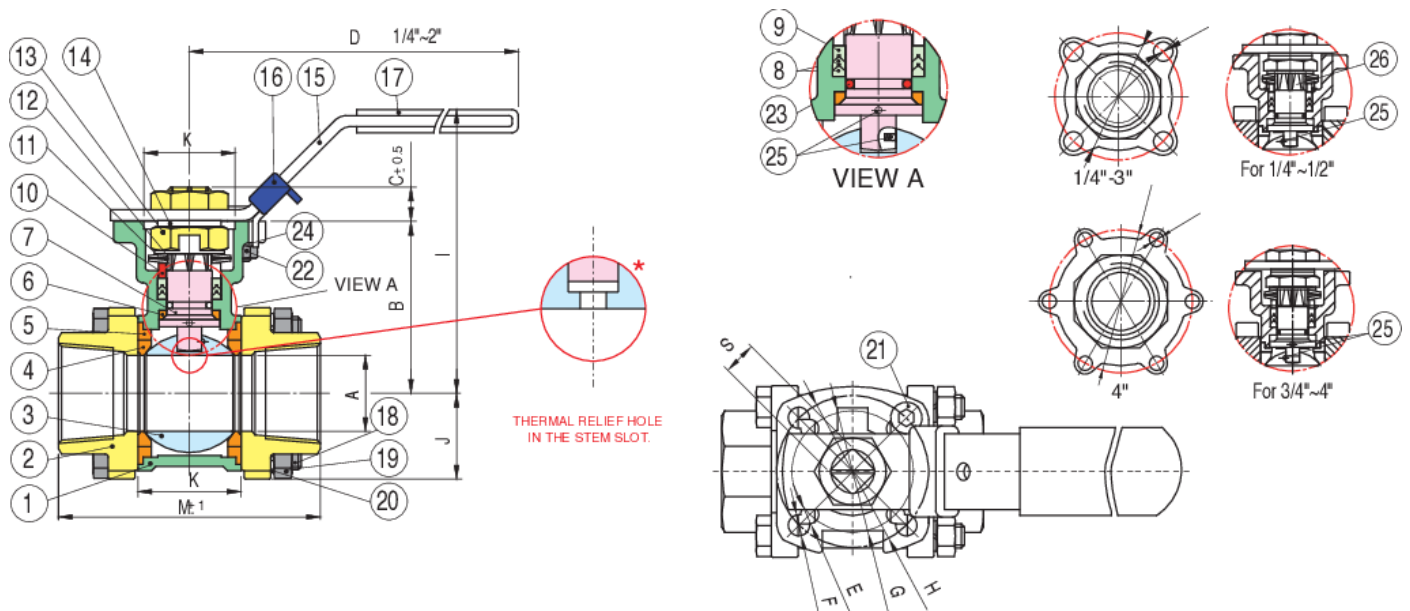
- ISO 5211 mounting pad/square stem.
- Blow-out proof stem, multi-layer V-ring adjustable stem packing.
- Pressure rating 1/4" to 2" 1000 psi, 2 1/2" to 4" 800 psi - 150 psi steam.
- Temperature range -40°F to +440°F.
- TFM 1600 seats, PTFE packing and thrust washer.
- Live loaded stem packing design.

720 LL: FNPT THREADED - size 1/4" to 4".

721 LL: SOCKET WELD - size 1/4" to 4".

722 LL: BUTT WELD - size 1/4" to 4".

Technical specifications



POSITION	PART NAME	MATERIAL	N.° PIECES
1	BODY	CF8M	1
2	END CAP	CF8M	2
3	BALL	AISI 316	1
4	SEAT	TFM1600	2
5	JOIN GASKET	PTFE	2
6	STEM SEAL	RTFE	1
7	STEM	SS316	1
8	STEM PACKING	PTFE	1
9	STEM PACKING	TFM	*
10	GLAND	AISI 304	1
11	BELLEVILLE WASHER	AISI 304	2
12	LOCK SADDLE	AISI 304	1
13	STEM NUT	AISI 304	2
14	STEM WASHER	AISI 304	1
15	HANDLE	AISI 304	1
16	LOCKING DEVICE	AISI 304	1
17	HANDLE SLEEVE	VINYL	1
18	BOLT	AISI 304	*
19	BOLT NUT	AISI 304	*
20	BOLT WASHER	AISI 304	*
21	STOP PIN	AISI 304	1
22	PIN NUT	AISI 304	1
23	O-RING	FKM (VITON)	1
24	WASHER	AISI 304	1
25	ANTI-STATIC DEVICE	AISI 316	1
26	SPRING	AISI 316	1

SIZE	ØA	B	C	D	ØE	ØF	ØG	ØH	I	J	K	L	M	ØN	ØO	S IN	S MM	CV	TORQUE IN-LBS	ISO 5211	WEIGHT LBS
1/4"	0.46	1.66	0.25	5.47	0.24	0.24	1.42	1.65	3.03	0.92	0.93	0.98	2.51	1.81	0.34	0.35	9	8	55	F03/F04	1.4
3/8"	0.5	1.66	0.25	5.47	0.24	0.24	1.42	1.65	3.03	0.92	0.93	0.98	2.51	1.81	0.34	0.35	9	10	55	F03/F04	1.4
1/2"	0.59	1.66	0.25	5.47	0.24	0.24	1.42	1.65	3.03	0.92	0.93	0.98	2.59	1.81	0.34	0.35	9	15	55	F03/F04	1.6
3/4"	0.79	1.89	0.27	5.47	0.24	0.24	1.42	1.65	3.27	1	1.1	0.98	3	2.05	0.34	0.35	9	34	69	F03/F04	1.8
1"	0.98	2.23	0.44	6.45	0.24	0.28	1.65	1.97	3.78	1.11	1.34	1.18	3.39	2.36	0.34	0.43	11	56	127	F04/F05	3.0
1 1/4"	1.26	2.34	0.44	6.45	0.24	0.28	1.65	1.97	3.94	1.36	1.67	1.18	4.05	2.89	0.43	0.43	11	85	173	F04/F05	6.0
1 1/2"	1.5	3.05	0.56	8.47	0.3	0.35	1.97	2.76	5	1.55	2.1	1.38	4.7	3.37	0.47	0.55	14	125	243	F05/F07	6.5
2"	1.97	3.35	0.56	8.47	0.3	0.35	1.97	2.76	5.28	1.86	2.54	1.38	5.17	4.09	0.52	0.55	14	250	346	F05/F07	9.8
2 1/2"	2.56	4.28	0.67	11.81	0.39	0.47	2.76	4.02	6.58	2.3	3.43	2.17	6.46	5.12	0.6	0.67	17	320	518	F07/F10	21.0
3"	3.15	4.63	0.67	14.57	0.39	0.47	2.76	4.02	6.93	2.72	3.9	2.17	7.19	6.12	0.68	0.67	17	580	806	F07/F10	28.0
4"	3.94	5.22	0.67	14.57	0.39	0.47	2.76	4.02	7.56	3.76	5	2.17	9.28	7.4	0.68	0.67	17	1020	1094	F07/F10	47.9