



97T-STC (T)

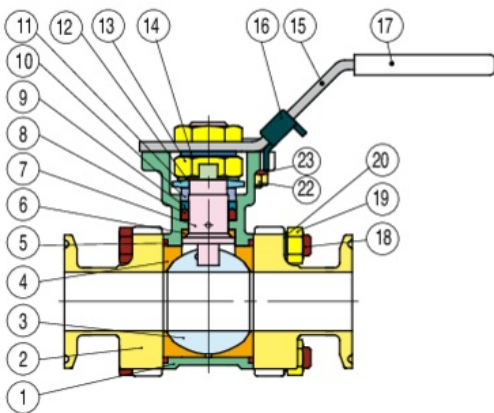
3-WAY CAVITY-FILLED, DIRECT MOUNT SS BALL SANITARY TRI-CLAMP ENDS

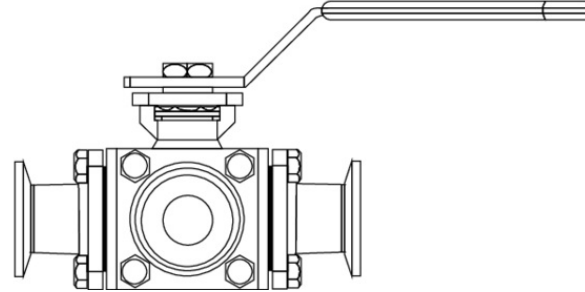
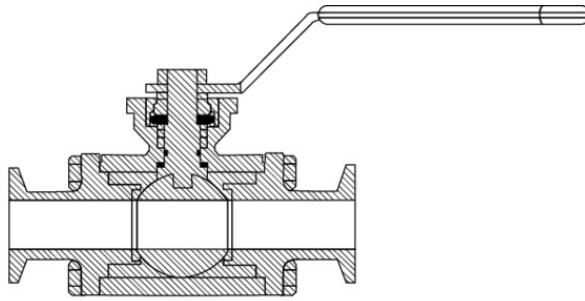
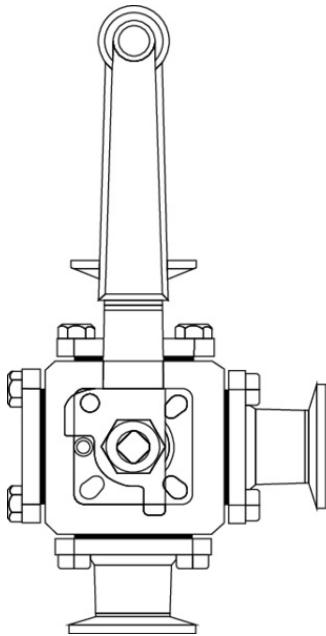
Direct mount, Stainless steel ANSI class 150 wafer-style flanged full port ball valve.

- Cavity-filled, stainless steel with Sanitary Tri-Clamp ends.
 - Pressure rating 1/2" to 1"-1000 psi, 1-1/2" to 2"-800 psi, 2-1/2" to 3"-600psi, 4"-300 psi.
 - Temperature range -20°F to 366°F.
 - Live loaded stem packing.
 - R.PTFE seats & seals.
 - All stainless steel external components.
 - ISO 5211 mounting pad with square stem.
 - Live loaded stem packing design.
- 97L-STC - 97T-STC: size 1/2" to 4".

NEW

Technical specifications





POSITION	PART NAME	MATERIAL	N.° PIECES
1	BODY	CF3M	1
2	END CONNECTION	CF3M	3
3	BALL	AISI 316L	1
4	SEATS	PTFE	3
5	JOINT GASKET	PTFE	3
6	STEM SEAL	RTFE	1
7	STEM	AISI 316L	1
8	GLAND PACKING	PTFE	2
9	GLAND PACKING	PTFE+GLASS	1
10	GLAND BUSH	AISI 304	1
11	BELLEVILLE WASHER	AISI 301	2
12	STOP WASHER	AISI 304	1
13	STEM UNIT	AISI 304	1
14	STEM WASHER	AISI 304	1
15	HANDLE	AISI 304	1
16	LOCKING DEVICE	AISI 304	1
17	HANDLE SLEEVE	VINYL	1
18	BOLT	AISI 304	6
19	BOLT NUT	AISI 304	6
20	BOLT WASHER	AISI 304	6
21	STOP PIN	AISI 304	1
22	PIN NUT	AISI 304	1
23	WASHER	AISI 304	1

SIZE	A	B	C	E	F	G	H	I	J	K	L	M	N	ISO 5211	CV	WEIGHT LBS.
1/2"	0.37	1.05	4.33	1.54	5.19	2.36	2.16	1	1.95	1.4	6	3	9	F03/F04	6	3.5
3/4"	0.62	1.3	4.69	1.77	5.19	2.54	2.34	1	1.95	1.4	6	3	9	F03/F04	16	4.2
1"	0.87	2.88	6	2.27	7.28	3.61	3	1.8	1.97	1.65	7	6	11	F04/F05	31	6.8
1 1/2"	1.37	3.84	7.5	3.02	8.66	4.34	3.75	1.8	2.76	1.97	9	7	14	F05/F07	75	12.6
2"	1.87	4.74	8.5	3.41	8.66	4.74	4.25	2.5	2.76	1.97	9	11	14	F05/F07	140	19.7
2 1/2"	2.37	3.34	8.98	3.84	9.92	5	6.5	3	4	2.76	11	9	17	F07/F10	210	30
3"	2.88	6.77	12	4.86	13.78	6.63	6	3.57	4	2.76	11	9	17	F07/F10	375	44.3
4"	3.83	8.28	13	5.51	13.78	7.28	6.5	4.68	4	2.76	11	9	17	F07/F10	670	120