



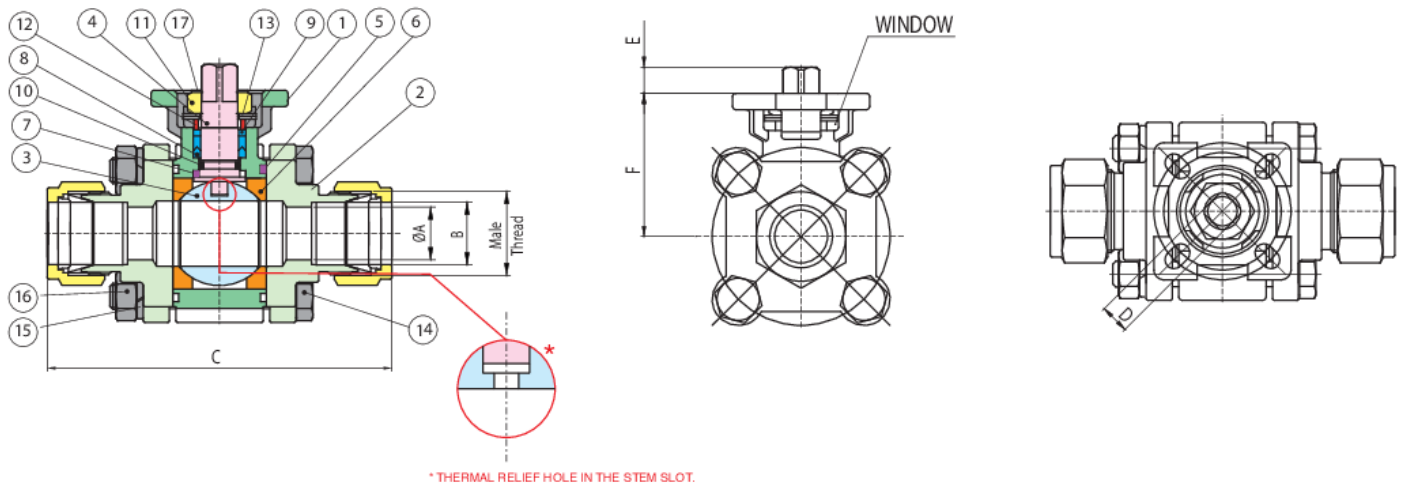
1300

STAINLESS STEEL INSTRUMENTATION BALL

3-piece stainless steel standard port instrumentation ball, with locking lever valve.

- Working pressure to 2000 psi.
 - Temperature range -15°F to 400°F.
 - ISO 5211 mounting pad.
 - Extremely high cycle life.
 - Compression ends with heat treated ferrules.
 - Latch locking handle.
- 1300: size 1/4" to 3/4".

Technical specifications



POSITION	PART NAME	MATERIAL	N.° PIECES
1	BODY	CF8M	1
2	END CAP	CF8M	2
3	BALL	AISI 316	1
4	STEM	AISI 316	1
5	PACKING	PTFE	2
6	SEAT	TFM1600	2
7	STEM SEAL	PTFE	1
8	V-RING PACKING	PTFE	1 SET
9	BUSHING	50%SS-50%PTFE	1
10	O-RING	FKM (VITON)	1
11	STEM NUT	AISI 304	1
12	GLAND	AISI 304	1
13	BELLEVILLE WASHER	AISI 304	2
14	BOLT	AISI 304	4
15	WASHER	AISI 304	4
16	BOLT NUT	AISI 304	4
17	LOCK SADDLE	AISI 304	1

SIZE	ØA	B	C	D MM	E	F	ISO 5211	CV	TORQUE IN-LBS	WEIGHT LBS
1/4"	0.18	0.26	3.74	9	0.35	1.6	F03/F04	5.3	46	0.8
3/8"	0.25	0.38	3.79	9	0.35	1.6	F03/F04	8	46	0.9
1/2"	0.37	0.51	4.02	9	0.35	1.6	F03/F04	19	46	0.9
3/4"	0.63	0.75	4.02	9	0.35	1.6	F03/F04	35	58	1.2