

## 724101



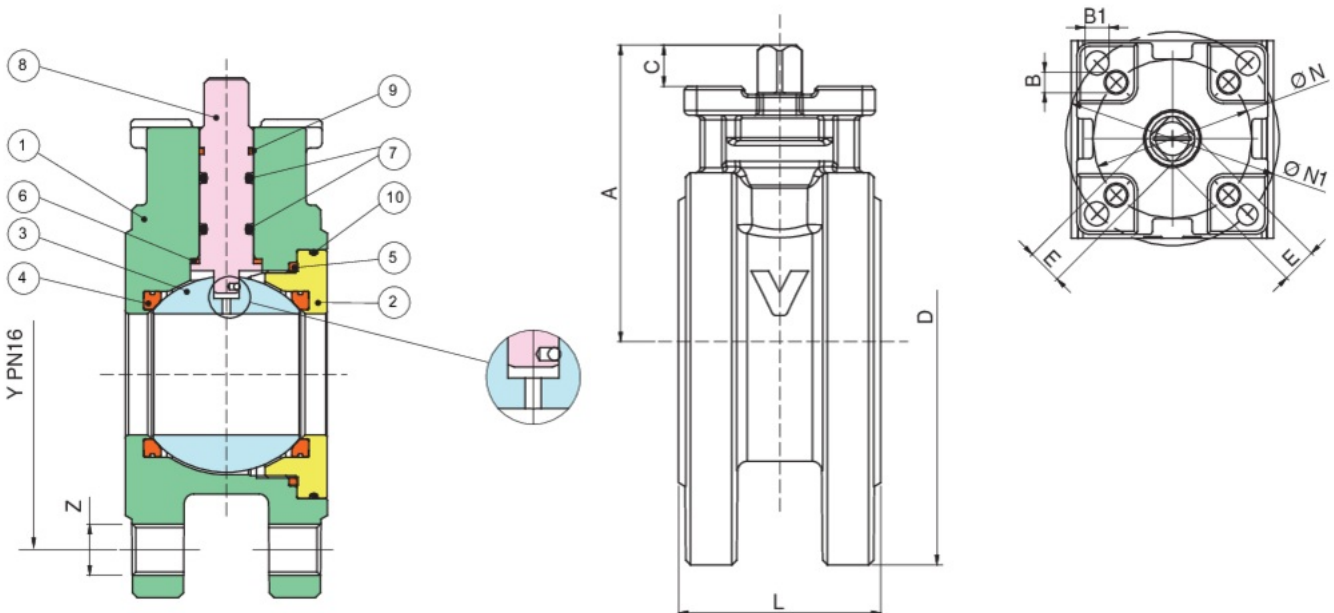
Direct mount, carbon steel ANSI class 150 wafer-style flanged ball valve, full port.

- Temperature range -4°F to +366°F.

Antistatic stem device.

- TFM-MPTFE ball seats and thrust washer standard.
  - Triple stem seals-two Viton (FKM) O-rings and one PTFE seat.
  - ISO 5211 mounting pad.
  - Low torque design.
- 724101: size 1" to 4".

### Technical specifications



POSITION	PART NAME	MATERIAL	N.º PIECES
1	BODY	A352/LCB	1
2	END CONNECTION	ASTM A105	1
3	BALL	A351-CF8/A182-F304	1
4	BALL SEAT	TFM-MPTFE	2
5	BODY SEAT	PTFE	1
6	THRUST WASHER	TFM-MPTFE	1
7	O-RING	FKM (VITON)	2
8	STEM	A564-TP630 H1150D (17-4-PH)	1
9	STEM SEAT	PTFE	1
10	O-RING	FKM (VITON)	1

SIZE	D	Y	Z	L	A	C	E	ISO 5211 ØN	B	B1	BREAK TORQUE (IN/LBS)	CV	WEIGHT LBS
1"	4.33	3.35	4	1.89	2.76	0.43	9	F03/F05	0.22	0.28	89	74.63	5.29
1 1/4"	5.12	3.94	4	2.13	3.23	0.39	9	F03/F05	0.22	0.28	116	120.1	7.72
1 1/2"	5.51	4.33	4	2.5	3.66	0.51	11	F05	0.26	-	151	201.32	9.92
2"	6.1	4.92	8	3.23	4	0.53	11	F05/F07	0.26	0.35	177	348.6	14.77
2 1/2"	7.09	5.71	8	4.06	5.06	0.73	17	F07	0.35	-	284	596.66	24.03
3"	7.48	6.3	8	4.8	5.43	0.71	17	F07	0.35	-	390	1009.48	30.87
4"	8.66	7.09	8	5.98	6.02	0.73	17	F07	0.35	-	531	1577.34	46.08