



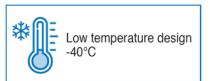
## 721V16

### STAINLESS STEEL WAFER BALL VALVE

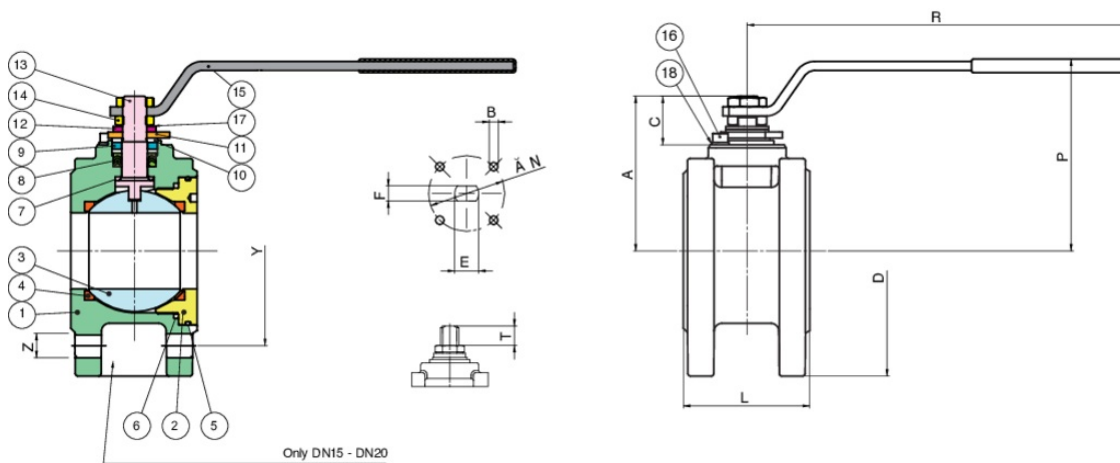
Stainless steel ANSI class 150 flanged ball valve, full port.

- Temperature range -40°F to 366°F.
  - Blow-out proof stem.
  - TFM-MPTFE ball seats PTFE V-pack stem packing graphoil stem seat.
  - Space saving design.
  - 100% tested.
  - Fugitive emission 15848 tested.
  - ANSI B16.34 design.
  - ISO 5211 mounting pad with double "D" stem.
  - Locking handles available.
  - Fire safe certified to EN ISO 10497 and API 607.
- 721V16: size 1/2" to 4".

COMPLIES WITH NACE MR 0175/ISO 15156 AND NACE MR 0103.



### Technical specifications



POSITION	PART NAME	MATERIAL	N.° PIECES
1	BODY	A351/CF8M	1
2	END CONNECTION	A479-TP316/A182-F316	1
3	BALL	A351/CF8M	1
4	BALL SEATS	TFM-MPTFE	2
5	O-RING	FKM (VITON)	1
6	BODY SEAT	PTFE	1
7	ANTIFRICTION RING	TFM-MPTFE	1
8	V-PACK	PTFE	1
9	STEM SEAT	GRAPHOIL	1
10	PACKING GLAND	A479-TP316	2
11	END STOP	AISI 316	1
12	SPRING WASHER	AISI 304	2
13	STEM	A479-TP316	1
14	NUT	A2-70	2
15	HANDLE	AISI 316	1
16	SCREW	A2-70	2
17	ENSREWING WASHER	AISI 316	1
18	WASHER	AISI 316	2

SIZE	D	Y	L	R	P	A	C	T	E	F	ISO5211 ØN	B	BREAK TORQUE (IN/LBS)	CV	WEIGHT LBS
1/2"	3.74	2.37	1.42	5.16	2.76	2.05	0.71	0.31	M10	0.28	F03	4xM5	35	19.2	1.64
3/4"	4.13	2.75	1.54	5.16	2.95	2.2	0.69	0.3	M10	0.28	F03	4xM5	115	35	2.15
1"	4.53	3.13	1.73	6.85	3.66	2.85	1.02	0.41	M12	0.31	F04	4xM5	124	64.5	2.56
1 1/4"	5.51	3.5	2.05	6.85	3.82	2.97	0.98	0.37	M12	0.31	F04	4xM5	150	103.8	3.86
1 1/2"	5.91	3.87	2.52	9.84	4.65	3.66	1.22	0.51	M16	0.39	F05	4xM6	195	174	5.35
2"	6.5	4.75	3.27	9.84	5	4.02	1.26	0.51	M16	0.39	F05	4xM6	292	301.3	7.5
2 1/2"	7.28	5.5	4.13	12.64	5.63	4.76	1.52	0.75	M20	0.55	F07	4xM8	540	545.7	12.3
3"	7.87	6	4.76	12.64	6.06	5.2	1.71	0.79	M20	0.71	F07	4xM8	637	872.5	16.83
4"	8.66	7.5	5.98	15	6.61	5.75	1.65	0.75	M24	0.71	F10	4xM10	956	1363.3	24.3