



## 720288

### STAINLESS STEEL WAFER BALL VALVE

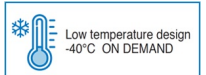
Stainless steel, ANSI class 300 flanged ball valve full port, stainless steel ball and stem.

- Temperature range -4°F to 366°F.
- Blow-out proof stem.
- RPTFE seats, packing and thrust washer.
- Space saving design.
- 100% tested.
- TUV T.A. Luft approved.
- ANSI B16.34 design.
- ISO 5211 mounting pad with double "D" stem.

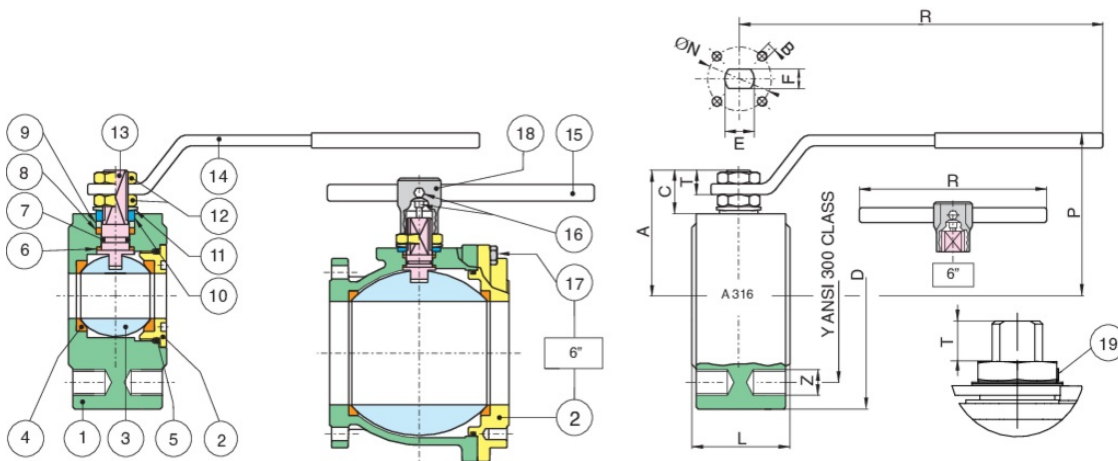
720288: size 1/2" to 6".

720741: FIRE SAFE APPROVED TO BS6755PART.2 WITH ANTISTATIC STEM DEVICE AND CARBON FILLED PTFE SEATS - size 1/2" to 6".

COMPLIES WITH NACE MR 0175/ISO 15156 AND NACE MR 0103



## Technical specifications



POSITION	PART NAME	MATERIAL	N.° PIECES
1	BODY	A479-316/A351 CF8M	1
2	END CONNECTION	A479-316/A351 CF8M	1
3	BALL	A479-316/A351 CF8M	1
4	BALL SEATS	RPTFE	2
5	RING	FKM (VITON)	1
6	THRUST WASHER	PTFE	1
7	RING	FKM (VITON)	1
8	STEM SEAL	PTFE	1
9	PACKING GLAND	STEEL	1
10	END STOP	STEEL	2
11	SPRING WASHER	STEEL	2
12	NUT	STEEL	2
13	STEM	AISI 316	1
14	HANDLE	STEEL	1
15	HANDLE DN 150-200	STEEL	1
16	SCREW	STEEL	2
17	SCREW	STEEL	12
18	BODY HANDLE DN150-200	CAST IRON	1
19	Unscrewing grower	A182-F316	1

SIZE	D	Y	Z UNC	L	R	P	A	C	T	E	F	ISO 5211 ØN	B	BREAK TORQUE IN/LBS	CV	WEIGHT LBS
1/2"	3.75	2.62	4	1.38	5.17	2.54	1.85	0.45	0.33	M10	0.28	1.26	4xM5	35	22.21	3.1
3/4"	4.62	3.25	4	1.57	5.17	2.71	2.03	0.37	0.33	M10	0.28	1.26	4xM5	115	40.5	5.5
1"	4.88	3.5	4	1.81	6.87	3.17	2.4	0.51	0.45	M12	0.32	1.65 (F04)	4xM5	124	74.63	6.8
1 1/4"	5.25	3.88	4	2.12	6.87	3.33	2.54	0.65	0.45	M12	0.32	1.65 (F04)	4xM5	150	120.1	9.3
1 1/2"	6.12	4.5	4	2.5	9.86	4.03	3.07	0.8	0.47	M16	0.39	1.97 (F05)	4xM6	195	201.32	15
2"	6.5	5	8	3.23	9.86	4.43	3.43	0.63	0.47	M16	0.39	1.97 (F05)	4xM6	292	348.6	23
2 1/2"	7.5	5.88	8	4.05	12.66	5.08	4.11	0.73	0.67	M20	0.55	2.75 (F07)	4xM8	540	631.37	39
3"	8.25	6.62	8	4.8	12.66	5.45	4.53	0.83	0.71	M20	0.55	2.75 (F07)	4xM8	637	1009.48	55
4"	10	7.88	8	5.98	15.02	6.2	5.39	0.93	0.83	M24	0.71	4.02 (F10)	4xM10	956	1577.34	100
6"	12.5	10.62	12	9.13	27.56	9.33	7.93	2.03	1.18	M42	1.18	4.92 (F129)	4xM12	2903	4247.46	223