

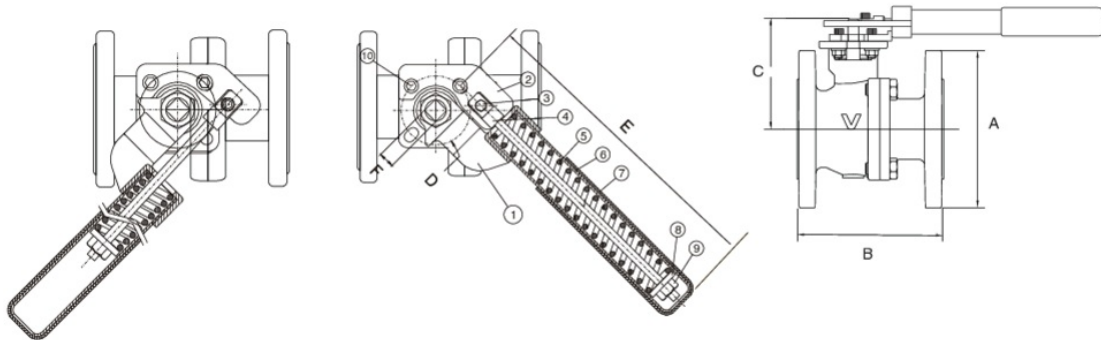
766000 SRL DEADMAN SPRING RETURN

Deadman spring lever, Split Body style, ANSI 150 class flanged raised face stainless steel ball valve, full port.

- ISO 5211 mounting pad and stem.
- Blowout proof stem.
- Standard grounded ball & stem.
- Certified to API 607 and API 6FA.
- Designed to ANSI 16.5, 16.10, 16.34.
- TUV T.A. Luft approved.
- NACE MR 0175.

766000 SRL: size 1" to 2".

Technical specifications



POSITION	PART NAME	MATERIAL
1	HANDLE HEAD	ASTM A351-CF8M
2	ANCHOR	ASTM A351-CF8M
3	ANCHOR SCREW	AISI 316
4	SPRING ROD	AISI 316
5	SPRING	AISI 301
6	HANDLE EXTENSION	AISI 304
7	SLEEVE	VINYL
8	WASHER	AISI 304
9	HEX NUT	AISI 304
10	SOCKET HEAD SCREW	AISI 304

Valve materials and size: see table art. 766000

SIZE	A	B	C	D ISO 5211	E	F (MM)
1"	4.33	5	2.72	F03	8.75	9
1 1/2"	5.12	6.5	3.7	F05	11.5	11
2"	5.91	7.01	4.06	F05	11.5	11