



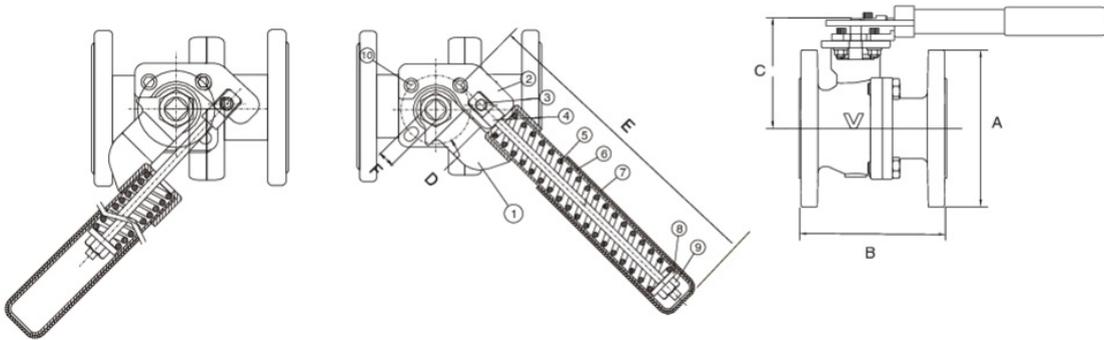
## 766001 SRL DEADMAN SPRING RETURN

Carbon steel, ANSI class 150 flanged ball valve, full port, with locking handle.

- Direct mount ISO 5211/square stem.
  - Temperature range -4°F to 366°F.
  - Blow-out proof stem, adjustable stem packing.
  - PTFE seats, and FKM Viton® O-rings.
  - Fire Safe certified to API 607.
  - 100% tested.
  - ANSI B16.5, B16.10, B16.34 design.
  - Antistatic Device.
  - Standard locking handle.
- 766001 SRL: size 1" to 2".

COMPLIES WITH NACE MR 0175/ISO 15156 AND NACE MR 010.3

### Technical specifications



POSITION	PART NAME	MATERIAL
1	HANDLE HEAD	ASTM A351-CF8M
2	ANCHOR	ASTM A351-CF8M
3	ANCHOR SCREW	AISI 316
4	SPRING ROD	AISI 316
5	SPRING	AISI 301
6	HANDLE EXTENSION	AISI 304
7	SLEEVE	VINYL
8	WASHER	AISI 304
9	HEX NUT	AISI 304
10	SOCKET HEAD SCREW	AISI 304

Valve materials and size: see Series 766001.

SIZE	A	B	C	D ISO 5211	E	F (MM)
1"	4.33	5	2.72	F03	8.75	9
1 1/2"	5.12	6.5	3.7	F05	11.5	11
2"	5.91	7.01	4.06	F05	11.5	11