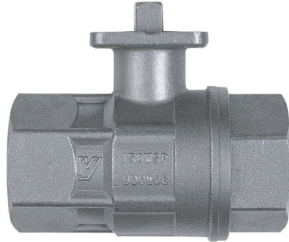


700076-V36-V6-V9

STAINLESS STEEL DIRECT MOUNT BALL VALVE



2-piece stainless steel FNPT threaded, direct mount ball valve, full port.

- Pressure rating 1000 psi, 150 psi steam.
- Temperature -4°F to +366°F.
- Blow-out proof stem.
- 23% carbon and 2% graphite filled PTFE seats.
- Low operating torque.
- Double O-ring stem packing.
- 100% electronically tested in the open and closed position at 80 psi.
- ISO 5211 mounting pad.
- ANSI B1.20.1 connections.

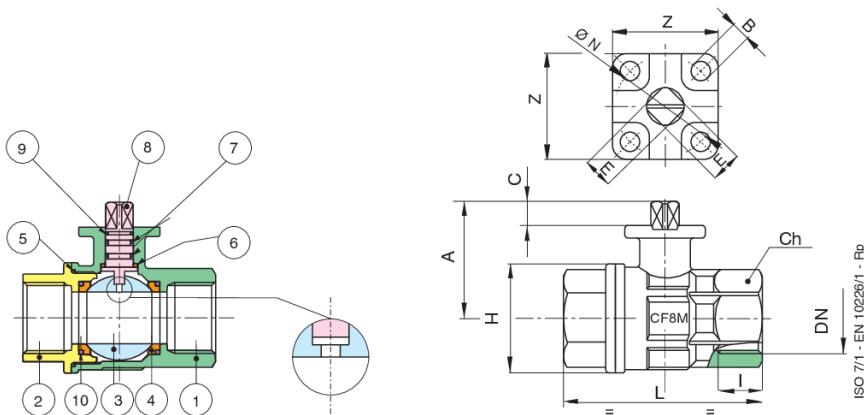
700076V36 - 700076V6 - 700076V9: size 1/2" to 3".

COMPLIES WITH NACE MR 0175/ISO 15156 AND NACE MR 0103.

V-Ball option



Technical specifications



POSITION	PART NAME	MATERIAL	N.° PIECES
1	BODY	A351-CF8M	1
2	END CONNECTION	A351-CF8M	1
3	BALL	A479-TP316/A351-CF8M	1
4	BALL SEAT	PTFE	2
5	SEAT	PTFE	1
6	THRUST WASHER	PTFE	1
7	O-RING	FKM	2
8	STEM	A479-TP316	1
9	STEM SEAT	PTFE	1
10	O-RING (1/2"-2")	FKM	2

SIZE	I	L	H	CH	A	C	E MM	ISO 5211	B	Z	CV	PSI	WEIGHT LBS	BREAK TORQUE IN-LBS
1/2"	0.59	2.63	1.35	1.06	1.63	0.35	9	F03	0.23	1.49	22.21	1000	0.68	53.1
3/4"	0.64	3.07	1.65	1.25	1.71	0.35	9	F03	0.23	1.49	40.5	1000	0.91	53.1
1"	0.75	3.54	2.02	1.61	2.1	0.35	9	F03	0.23	1.49	74.63	1000	1.35	53.1
1 1/4"	0.84	3.93	2.53	1.96	2.24	0.35	9	F03	0.23	1.49	120.1	1000	2.22	53.1
1 1/2"	0.84	4.4	3.03	2.16	2.91	0.43	11	F05	0.27	1.96	201.32	1000	3.69	150.46
2"	1.01	5.31	3.81	2.75	3.27	0.43	11	F05	0.27	1.96	348.6	1000	6.49	150.46
2 1/2"	1.22	6.32	4.64	3.39	4.94	0.66	17	F07/F10	0.39	3.64	631.37	800	16.38	484
3"	1.34	7.01	5.48	4.09	5.34	0.71	17	F07/F10	0.39	3.64	1009.48	800	22.82	772

Certifications



ATEX FIRE-SAFE

SIL 3

SIL 3