



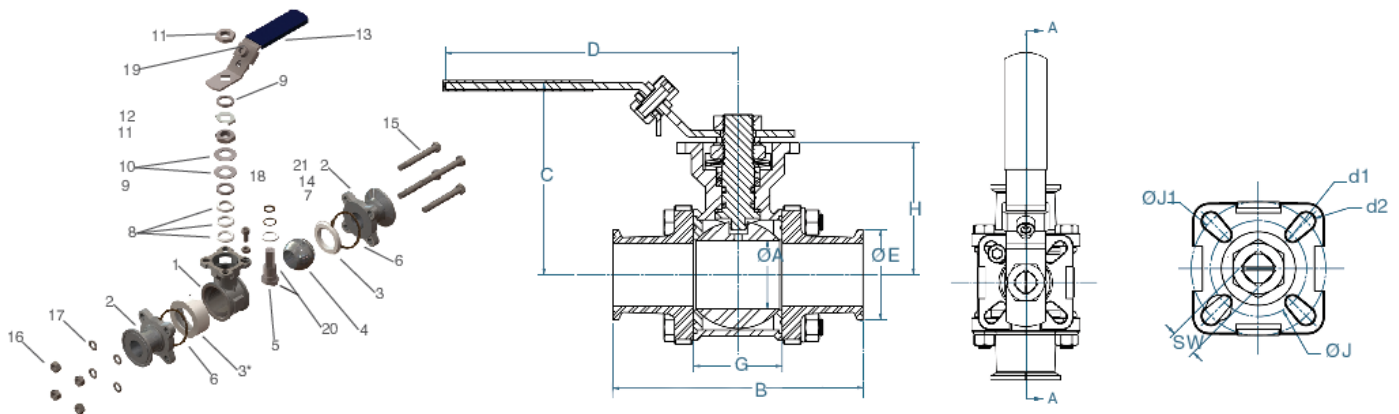
770V3-V6-V9 (NCF)

Stainless steel direct mount 3 piece V-port ball valve with sanitary connections, sizes 1/2" to 4".

- Highly polished internals and end caps with 8-12 Ra finish.
- A materials comply with FDA, USDA & 3A requirements.
- Investment cast body and end caps.
- ASTM 316 stainless steel.
- 100% tested and inspected prior to shipping.
- Full traceability of a components.
- SST x PTFE steam seats available for high temperature applications.
- Standard seats are 50% PTFE/50% SS.
- Cavity fillers are virgin PTFE.

NEW

Technical specifications



POSITION	PART NAME	MATERIAL	N.° PIECES
1	BODY	CF8M/316SS	1
2	END CAPS	CF8M/316SS	2
3	SEATS	50% PTFE/50% SS	2
4	BALL	316SS	1
5	STEM	316SS	1
6	BODY SEAL	PTFE	2
7	STEM GASKET	PTFE	1
8	STEM SEALS	PTFE	3
9	GLAND RING	301SS	2
10	BELLEVILLE WASHER	304SS	2
11	LEVER NUT	304SS	1
12	LOCKING TAB	304SS	1
13	HANDLE	304SS	1
14	O-RING	304SS	1
15	BOLTS	304SS	4
16	BOLTS NUT	304SS	4
17	WASHER	304SS	4
18	STOP SCREW	PVC	1
19	LOCKING DEVICE	304SS	1
20	STATIC DEVICE	316SS	2
21	O-RING	VITON	1

SIZE	A	B	C	D	E	G	H	L	J	J1	D1	D2	SW	ISO 5211	WEIGHT LBS
1/2"	0.37	3.5	2.79	4.33	1	0.99	1.67	0.32	1.42	1.65	0.24	0.24	0.35	F03/F04	1.67
3/4"	0.63	4	2.89	4.33	1	1.09	1.76	0.32	1.42	1.65	0.24	0.24	0.35	F03/F04	1.91
1"	0.87	4.5	3.31	5.32	1.98	1.3	2.13	0.39	1.65	1.97	0.24	0.28	0.43	F04/F05	3.17
1 1/2"	1.37	5.5	4.31	6.5	1.98	1.94	2.89	0.58	1.97	2.76	0.28	0.35	0.55	F05/F07	7.24
2"	1.87	6.25	4.68	6.5	2.52	2.5	3.26	0.58	1.97	2.76	0.28	0.35	0.55	F05/F07	10.1
2 1/2"	2.37	7	5.25	9.06	3.05	2.76	4.21	0.67	2.76	4.02	0.35	0.43	0.67	F07/F10	21.8
3"	2.88	9	6.3	11.81	3.58	4.02	4.62	0.67	2.76	4.02	0.35	0.43	0.67	F07/F10	29
4"	3.84	9.5	6.9	11.81	8.9	4.02	5.21	0.67	2.76	4.02	0.35	0.43	0.67	F07/F10	46.5