



720370-V36-V6-V9

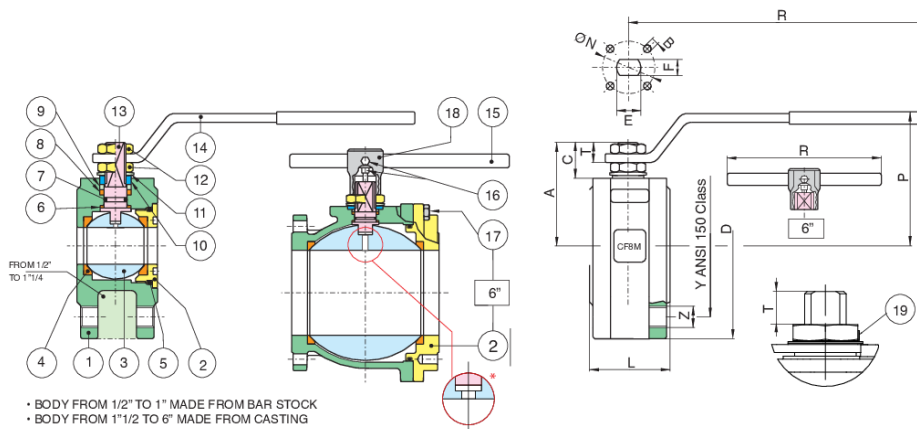
STAINLESS STEEL WAFER V-BALL VALVE

Stainless steel ANSI class 150 flanged V-ball valve 30-60, 60, 90 degrees V ports.

- Temperature range -4°F to 406°F.
 - Blow-out proof stem, Antistatic Device.
 - RPTFE seats, packing and thrust washer.
 - Thermal relief hole in the ball.
 - Space saving design.
 - 100% tested.
 - TUV T.A. Luft approved.
 - ANSI B16.34 design.
 - ISO 5211 mounting pad and double "D" stem.
- 720370V36 - 720370V6 - 720370V9: size 1/2" to 6".

COMPLIES WITH NACE MR 0175/ISO 15156 AND NACE MR 0103.

Technical specifications



- BODY FROM 1/2" TO 1" MADE FROM BAR STOCK
- BODY FROM 1 1/2" TO 6" MADE FROM CASTING

* THERMAL RELIEF HOLE IN THE STEM SLOT





POSITION	PART NAME	MATERIAL	N.° PIECES
1	BODY	A479-316/A351 CF8M	1
2	END CONNECTION	A479-316/A351 CF8M	1
3	BALL	A479-316/A351 CF8M	1
4	BALL SEATS	RPTFE	2
5	RING	FKM (VITON)	1
6	THRUST WASHER	RPTFE	1
7	RING	FKM (VITON)	1
8	STEM SEAL	RPTFE	1
9	PACKING GLAND	STEEL	1
10	END STOP	AISI 430 (1/2"-2") STEEL (2 1/2"-6")	2
11	SPRING WASHER	STEEL	2
12	NUT	STEEL	2
13	STEM	A479-316/A351 CF8M	1
14	HANDLE	STEEL	1
15	HANDLE DN 150-200	STEEL	1
16	SCREW	STEEL	2
17	SCREW	STEEL	8
18	BODY HANDLE DN150-200	CAST IRON	1
19	Unscrewing grower	A182-F316	1

SIZE	D	Y	Z UNC	L	R	P	A	C	T	E	F	ISO 5211 ØN	B	WEIGHT LBS
1/2"	3.5	2.38	4x1/2"	1.37	5.17	2.53	1.85	0.61	0.35	M10	0.27	1.26-F03	4xM5	2.86
3/4"	3.88	2.75	4x1/2"	1.57	5.17	2.71	2.02	0.61	0.35	M10	0.27	1.26-F03	4xM5	3.96
1"	4.25	3.12	4x1/2"	1.81	6.87	3.16	2.4	0.76	0.45	M12	0.31	1.65-F04	4xM5	5.95
1 1/2"	5	3.88	4x1/2"	2.5	9.86	4.03	3.07	0.96	0.51	M16	0.39	1.97-F05	4xM6	7.27
2"	6	4.75	4x5/8"	3.22	9.86	4.37	3.42	0.98	0.53	M16	0.39	1.97-F05	4xM6	12.12
3"	7.5	6	4x5/8"	4.8	12.65	5.45	4.52	1.12	0.7	M20	0.55	2.76-F07	4xM8	28.21
4"	9	7.5	6x5/8"	5.98	15.01	6.16	5.39	1.35	0.86	M24	0.7	4.02-F10	4xM10	46.07
6"	11	9.5	8x3/4"	9.13	27.55	9.33	7.93	2.02	1.18	M42	1.18	4.92-F12	4xM12	101.63