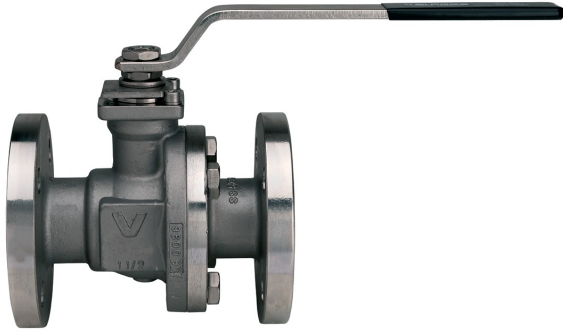


760195-V36-V6-V9

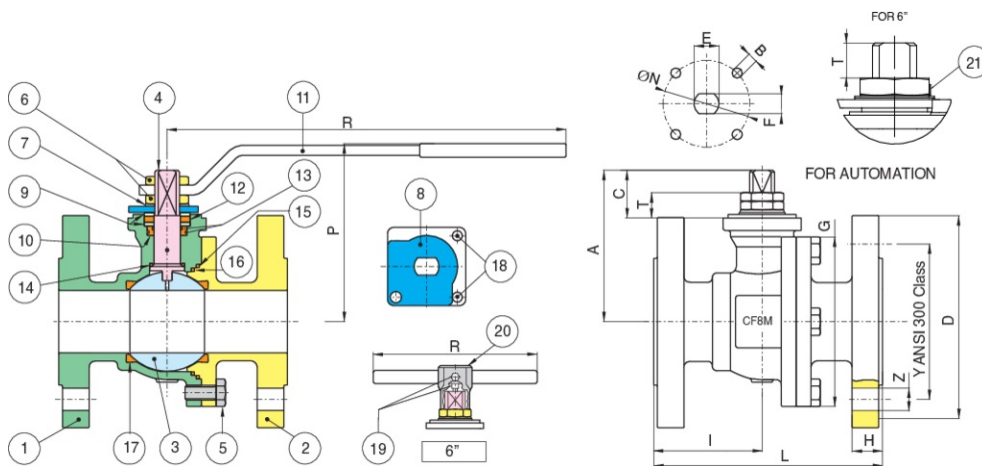


Stainless steel, ANSI class 300 flanged V-ball valve 30-60, 60, 90 degrees V ports.

- Temperature range -4°F to 406°F.
 - Blow-out proof stem, adjustable stem packing.
 - RPTFE seats, packing and thrust washer.
 - 100% tested.
 - PED 97/23/CE.
 - Locking handle plate.
 - Thermal relief hole in the ball.
 - ANSI B16.5, B16.10, B16.34 design.
 - Fire Safe API 6FA-API 607.
 - Antistatic Device.
 - ISO 5211 mounting pad and double "D" stem.
- 760195V36 - 760195V6 - 760195V9: size 1/2" to 6".

COMPLIES WITH NACE MR 0175/ISO 15156 AND NACE MR 0103.

Technical specifications





POSITION	PART NAME	MATERIAL	N.° PIECES
1	BODY	CF8M	1
2	END CONNECTION	CF8M	1
3	BALL	A479-316/A351-CF8M	1
4	STEM	A479-316	1
5	SCREW	STAINLESS 1/2"-1 1/2" STEEL 2"-6"	4
6	NUT	STAINLESS 1/2"-1 1/2" STEEL 2"-6"	2
7	SPRING WASHER	STAINLESS STEEL	2
8	TRAVEL STOP	STAINLESS STEEL	1
9	PACKING GLAND	STAINLESS STEEL	2
10	STEM SEAL	PTFE	1
11	HANDLE	STAINLESS STEEL	1
12	STEM SEAL	GRAPHOIL	1
13	O-RING	FKM (VITON)	2
14	THRUST WASHER	RPTFE	1
15	SEAL	GRAPHOIL	1
16	SEAL	PTFE	1
17	BALL SEATS	RPTFE	2
18	SCREW	STAINLESS STEEL	2
19	SCREW	STAINLESS STEEL	2
20	BODY HANDLE	CAST IRON	1
21	Unscrewing grower	A182-F316	1

SIZE	D	Y	Z	H	I	L	G	P	R	A	C	T	E	F	ISO 5211 ØN	B	WEIGHT LBS
1/2"	3.74	2.62	4xØ0.63	0.57	2.42	5.51	3.35	3.46	5.16	2.05	0.75	0.31	M10	0.28	1.65-F04	M5	5.07
3/4"	4.53	3.25	4xØ0.75	0.63	2.4	5.98	3.07	3.66	5.16	2.2	0.75	0.31	M10	0.28	1.65-F04	M5	7.71
1"	4.92	3.5	4xØ0.79	0.69	2.78	6.5	3.78	4.29	6.85	2.85	1.08	0.51	M12	0.31	1.97-F05	M6	11.46
1 1/2"	6.1	4.51	4xØ0.87	0.83	3.09	7.48	4.96	5.24	9.84	4.21	1.18	0.39	M16	0.39	1.97-F05	M6	22.04
2"	6.5	5	8xØ0.79	0.89	3.39	8.5	5.37	5.67	12.64	4.8	1.52	0.71	M20	0.55	2.76-F07	M8	26.45
3"	8.27	6.63	8xØ0.87	1.14	3.19	11.14	7.03	6.81	15	5.94	1.69	0.71	M24	0.71	4.02-F10	M10	59.51
4"	10.04	7.87	8xØ0.87	1.26	3.48	12.01	8.62	7.36	15	6.5	1.69	0.71	M24	0.71	4.02-F10	M10	90.36
6"	12.6	10.63	12xØ0.87	1.46	6.77	15.87	12.05	12.01	27.56	9.65	2.68	1.08	M42	1.18	4.92-F12	M12	204.97