



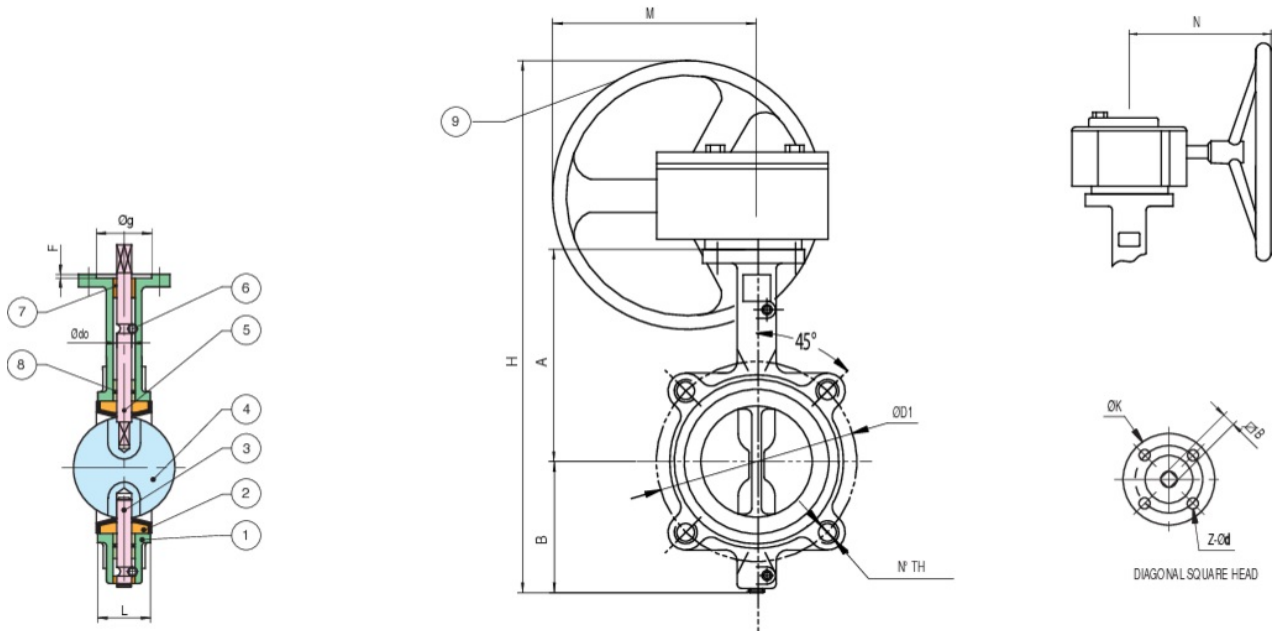
GN501N

NYLON 11 COATED DISC

Gear operated Lug butterfly valves full port.

- Epoxy coated ductile iron lug body.
 - Pressure rating: 250 psi water (40°F to 80°F).
 - Food grade EPDM resilient seat -30°F to 250°F.
 - Low turn ratio.
 - API609 face to face flange.
 - Floating dual shaft disc design.
 - IP54 enclosure.
 - MSS SP 67 compliant.
 - No pins in disc prevent potential leak points.
 - NSF certified for drinking water service (EPDM seats only).
 - Dead end service to 100 psi.
- G531S: VITON® SEATS - size 2" to 12".
G541N-G541S: BUNA-N SEATS - size 2" to 12".

Technical specifications



| POSITION | PART NAME | MATERIAL | N.° PIECES |
|----------|--------------|--------------------|------------|
| 1 | BODY | DUCTILE IRON | 1 |
| 2 | SEAT | EPDM (30F TO 250F) | 1 |
| 3 | LOWER SHAFT | AISI 416 | 1 |
| 4 | DISC G501N | IRON NYLON 11 | 1 |
| 5 | UPPER SHAFT | AISI 416 | 1 |
| 6 | LOCATING PIN | CARBON STEEL | 1 |
| 7 | BUSHING | PTFE | 1 |
| 8 | O-RING | EPDM | 1 |
| 9 | GEAR | CAST IRON | 1 |

| SIZE | ISO 5211 | ØB | A | B | L | H | M | N | ØDO | ØK | Z-ØD | ØG | F | ØD1 | N°-TH | WEIGHT LBS | SEAT TORQUE 100 PSI | SEAT TORQUE 200 PSI | CV (GPM@ 1 PSI) 50% OP | CV (GPM@ 1 PSI) 100% OP |
|--------|----------|-------|-------|------|------|-------|------|------|------|------|--------|------|------|-------|-----------|------------|---------------------|---------------------|------------------------|-------------------------|
| 1 1/2" | F05 | 9 mm | 7.24 | 2.97 | 1.61 | 13.12 | 4.75 | 6.00 | 0.50 | 3.03 | 4-0.28 | 1.38 | 0.12 | 4.74 | 4-5/8"-11 | 19.1 | 111 | 133 | 35 | 108 |
| 2" | F05 | 9 mm | 7.60 | 3.15 | 1.65 | 13.93 | 4.75 | 6.00 | 0.50 | 3.03 | 4-0.28 | 1.38 | 0.12 | 4.74 | 4-5/8"-11 | 19.9 | 126 | 146 | 49 | 146 |
| 2 1/2" | F05 | 9 mm | 8.15 | 3.50 | 1.76 | 14.83 | 4.75 | 6.00 | 0.50 | 3.03 | 4-0.28 | 1.38 | 0.12 | 5.49 | 4-5/8"-11 | 20.8 | 134 | 167 | 84 | 284 |
| 3" | F05 | 9 mm | 8.38 | 3.74 | 1.78 | 15.31 | 4.75 | 6.00 | 0.50 | 3.03 | 4-0.28 | 1.38 | 0.12 | 6.00 | 4-5/8"-11 | 21.9 | 205 | 223 | 128 | 547 |
| 4" | F07 | 11 mm | 9.13 | 4.49 | 2.05 | 16.8 | 4.75 | 6.00 | 0.62 | 3.54 | 4-0.35 | 2.17 | 0.12 | 7.50 | 8-5/8"-11 | 31.3 | 339 | 386 | 195 | 844 |
| 5" | F07 | 14 mm | 9.60 | 5.00 | 2.14 | 17.78 | 4.75 | 6.00 | 0.75 | 3.54 | 4-0.35 | 2.17 | 0.12 | 8.50 | 8-3/4"-10 | 35.5 | 523 | 602 | 320 | 1375 |
| 6" | F07 | 14 mm | 10.16 | 5.47 | 2.20 | 18.81 | 4.75 | 6.00 | 0.75 | 3.54 | 4-0.35 | 2.17 | 0.12 | 9.50 | 8-3/4"-10 | 42.8 | 677 | 996 | 418 | 1882 |
| 8" | F10 | 17 mm | 12.01 | 6.89 | 2.34 | 24.73 | 8.35 | 9.84 | 0.87 | 4.92 | 4-0.47 | 2.76 | 0.14 | 11.75 | 8-3/4"-10 | 68.6 | 1205 | 1864 | 745 | 3340 |
| 10" | F10 | 22 mm | 13.27 | 7.99 | 2.58 | 27.03 | 8.35 | 9.84 | 1.12 | 4.92 | 4-0.47 | 2.76 | 1.40 | 14.25 | 12-7/8"-9 | 87.3 | 1890 | 3140 | 1264 | 5475 |
| 12" | F10 | 22 mm | 15.04 | 9.53 | 3.03 | 30.34 | 9.06 | 8.94 | 1.24 | 5.51 | 4-0.47 | 2.76 | 1.40 | 17.00 | 12-7/8"-9 | 121.3 | 2808 | 4767 | 1905 | 8270 |

WARNING: This product can expose you to chemicals including lead, which is known to the State of California to cause cancer and birth defects or other reproductive harm. For more information go to www.p65warnings.ca.gov.

Certifications



NSF

NSF/ANSI
61.32
EPDM SEATS
ONLY

NSF-ANSI