

## 2200 SRL

### STAINLESS STEEL BALL VALVE

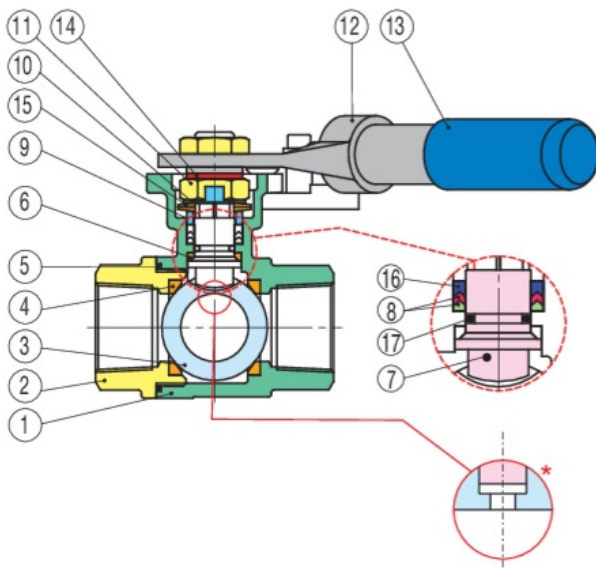


Deadman spring return lever, stainless steel, FNPT threaded ball valve, full port.

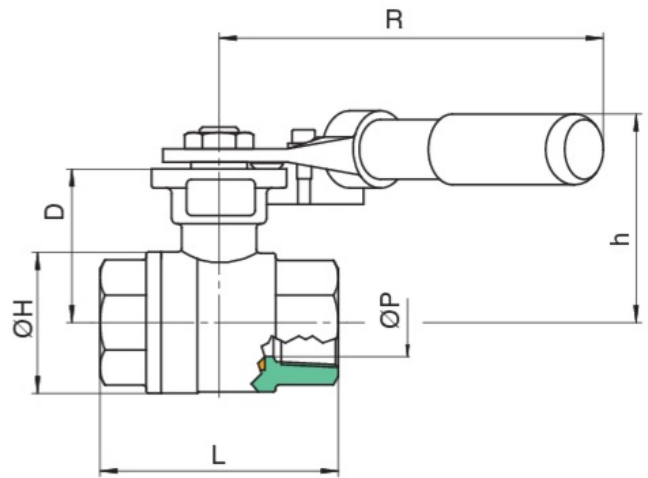
- Temperature range -40°F to 450°F.
- Working pressure to 1000 psi 1/4" - 2".
- Blow-out proof stem.
- Adjustable spring return lever.
- Antistatic design.
- ANSI B1.20.1 connections.

2200 SRL: size 1/4" to 2".

## Technical specifications



\* THERMAL RELIEF HOLE IN THE STEM SLOT.



POSITION	PART NAME	MATERIAL	N.° PIECES
1	BODY	CF8M	1
2	END CAP	CF8M	1
3	BALL	AISI 316	1
4	SEAT	PTFE	2
5	JOINT GASKET	PTFE	1
6	STEM SEAL	RTFE	1
7	STEM	AISI 316	1
8	STEM PACKING	PTFE	2
9	GLAND	AISI 304	1
10	LOCK SADDLE	AISI 304	1
11	STEM NUT	AISI 304	2
12	HANDLE	AISI 304	1
13	HANDLE SLEEVE	VINYL	1
14	STEM WASHER	AISI 304	1
15	BELLEVILLE WASHER	AISI 301	1
16	STEM PACKING	25% GLASS FIBER FILLED+PTFE	1
17	O-RING	VITON	1

SIZE	ØA	R	D	ØH	H	L	ISO 5211	CV	PSI	WEIGHT LBS
1/4"	0.45	6.3	1.52	1.46	2.31	2.56	F03/F04	8	1000	1.8
3/8"	0.49	6.3	1.52	1.46	2.31	2.56	F03/F04	10	1000	1.8
1/2"	0.59	6.3	1.52	1.46	2.31	2.56	F03/F04	15	1000	1.7
3/4"	0.79	6.3	1.82	1.69	2.6	2.94	F03/F04	34	1000	2
1"	0.98	6.3	2.23	2.05	3.02	3.47	F04/F05	56	1000	2.8
1 1/4"	1.26	6.3	2.4	2.48	3.19	4.02	F04/F05	85	1000	3.8
1 1/2"	1.5	8.27	3.05	2.87	3.84	4.33	F05/F07	125	1000	6.6
2"	1.97	8.27	3.35	3.54	4.14	4.92	F05/F07	250	1000	8.8