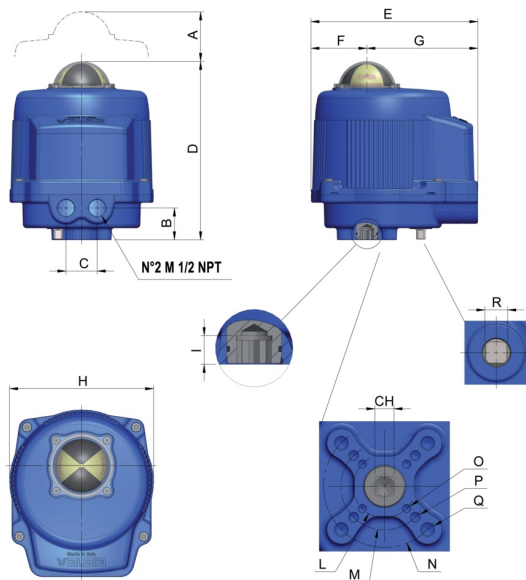


MOD. VB030M



Technical specifications



SIZE	PATTERN ISO 5211	CH	A	B	C	D	E	F	G	H	I	L	M	N	O	P	Q	R
VB030M	F03-F05-F07	11	5.47	1.42	1.38	7.83	7.36	2.48	4.88	6.34	0.47	1.42	1.97	2.76	10-24 UNC 2B x 0.31"	1/4-20 UNC 2B x 0.39"	5/16-18 UNC 2B x 0.43"	0.39

Certifications



C US

CSA International