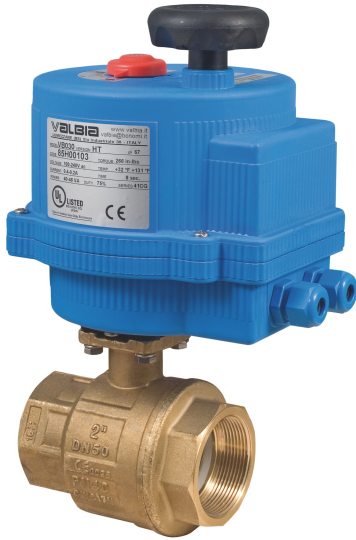


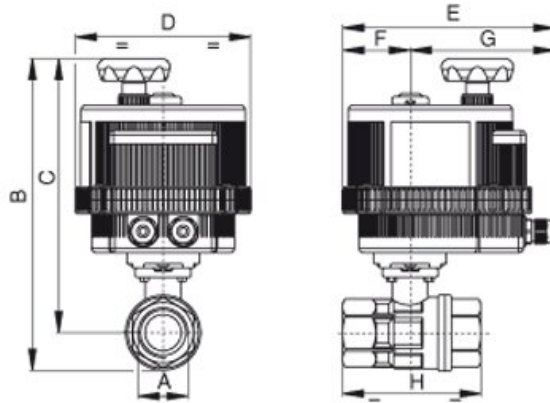
8E064 LF

Electric actuator with 2 way brass ball valve direct mount (RB 250N LF).

OPERATING CONDITIONS: fluid H₂O - T 68°F



Technical specifications



SIZE	PSI	B	C	D	E	F	G	H	ACT.
-	600	8.33	7.36	4.84	6.41	1.67	4.74	3.35	VB 015
-	600	11.36	9.92	6.18	7.50	2.38	5.12	4.13	VB 030
-	600	8.65	7.50	4.84	6.41	1.67	4.74	3.66	VB 015
-	600	7.51	6.85	4.84	6.41	1.67	4.74	2.64	VB 015
-	600	7.51	6.85	4.84	6.41	1.67	4.74	2.64	VB 015
-	600	12.08	10.28	6.18	7.50	2.38	5.12	4.80	VB 030
-	600	14.20	11.94	7.28	8.43	2.66	5.77	6.10	VB 060
-	600	14.99	12.31	7.28	8.43	2.66	5.77	6.89	VB 060
-	600	7.72	6.93	4.84	6.41	1.67	4.74	3.00	VB 015
-	600	7.51	6.85	4.84	6.41	1.67	4.74	2.64	VB 015
-	600	17.00	13.73	8.31	9.33	3.31	6.02	8.03	VB 110