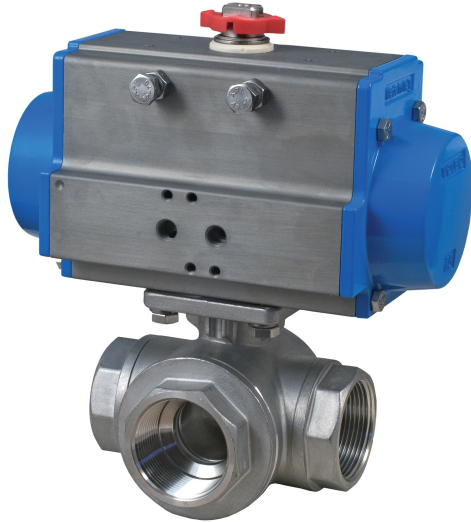


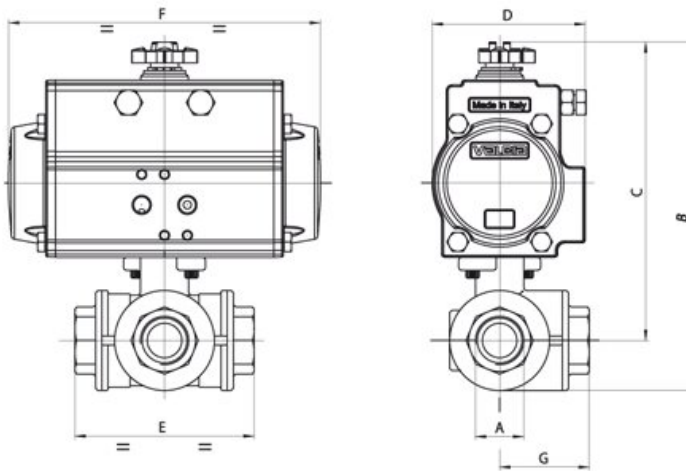
8P0141(L)



DA actuator with 3-way "T" stainless steel ball valve, standard port, direct mount (Bonomi NA 955N).

• OPERATING CONDITIONS: fluid H₂O - T 68°F - Actuator P 90 ÷ 100 PSI

Technical specifications



SIZE	PSI	DN - A STANDARD PORT	B	C	D	E	F	G	ACT.
1/4"	1000	-	6.66	5.9	3.17	2.83	6.46	1.41	SR 63
3/8"	1000	1/2"	6.68	5.9	3.17	2.83	6.46	1.41	SR 63
1/2"	1000	3/4"	7.01	6.1	3.17	3.26	6.46	1.63	SR 63
3/4"	1000	1"	7.91	6.81	3.72	3.89	8.27	1.94	SR 75
1"	1000	1"1/4	8.67	7.34	3.72	4.40	8.27	2.20	SR 75
1"1/4	800	1"1/2	10.22	8.69	4.84	4.92	10.83	2.46	SR 100
1"1/2	800	2"	10.97	9.09	4.84	5.86	10.83	2.93	SR 100
2"	800	-	14.04	11.68	5.83	6.85	14.65	3.42	SR 125

