

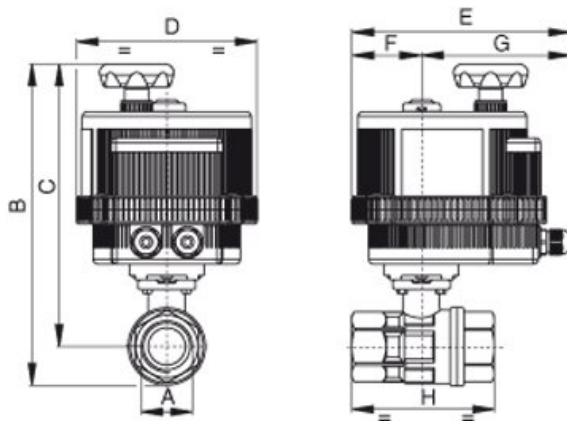
## 8E067

Electric actuator with 2 way stainless steel ball valve direct mount (Vapres 700076).

OPERATING CONDITIONS: fluid H2O - T 68°F



### Technical specifications



SIZE	PSI	B	C	D	E	F	G	H	ACT.
-	1000	8.33	7.32	4.84	6.41	1.67	4.74	3.54	VB 015
-	1000	11.40	9.88	6.18	7.50	2.38	5.12	4.41	VB 030
-	1000	8.73	7.46	4.84	6.41	1.67	4.74	3.94	VB 015
-	1000	7.53	6.85	4.84	6.41	1.67	4.74	2.64	VB 015
-	1000	12.15	10.24	6.18	7.50	2.38	5.12	5.32	VB 030
-	1000	7.75	6.93	4.84	6.41	1.67	4.74	3.07	VB 015

