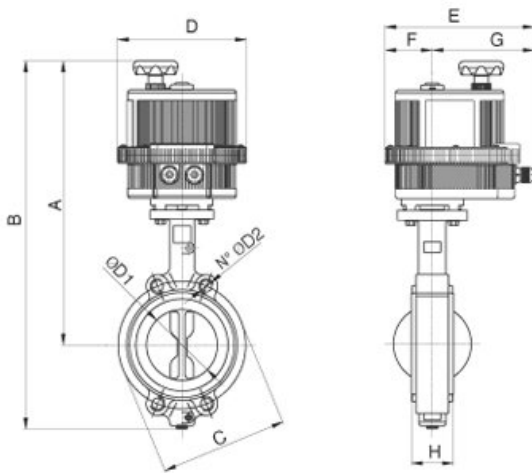


E500N



Electric actuator with direct mount, Wafer style EPDM seats, nylon coated ductile iron disc butterfly valve.

Technical specifications



SIZE	WT/LBS	A	B	C	D	E	F	G	H	N°	ØD2	ØD1	ACT.
12"	*	*	*	17.00	*	*	*	*	3.03	4	1.00	11.87	*
10"	55.5	20.69	26.68	14.25	8.74	9.72	3.03	6.69	2.58	4	1.00	9.86	VB 350
1 1/2"	9.9	13.11	16.08	4.74	6.18	7.50	2.38	5.12	1.61	4	0.75	1.67	VB 030
2"	10.6	13.40	16.89	4.74	6.18	7.50	2.38	5.12	1.65	4	0.75	2.02	VB 030
2 1/2"	12.2	14.29	17.79	5.49	6.18	7.50	2.38	5.12	1.76	4	0.75	2.54	VB 030
3"	13.5	14.53	18.27	6.00	6.18	7.50	2.66	5.12	1.78	4	0.75	3.10	VB 030
4"	18.1	16.33	20.82	7.50	7.28	8.43	2.66	5.77	2.05	4	0.75	4.09	VB 060
5"	22.7	16.80	21.80	8.50	7.28	8.43	3.31	6.02	2.14	4	0.87	4.85	VB 110
6"	28.00	18.04	23.51	9.50	8.31	9.33	3.31	6.02	2.20	4	0.87	6.13	VB 110
8"	39.9	19.38	26.27	11.75	8.31	9.33	3.03	6.02	2.34	4	0.87	7.97	VB 190

