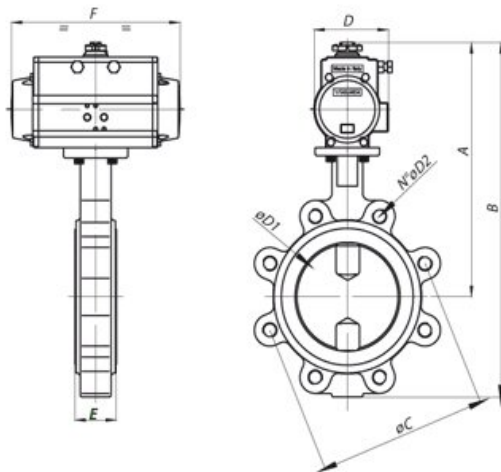


## DA501N



DA-SR actuator, direct mount, Lug body EPDM seats, nylon coated disc butterfly valve with double acting actuator.

### Technical specifications



SIZE	ACT.	A	B	C	D	E	F	N°	ØD2	ØD1	WT/LBS
10"	DA 140	19.61	27.60	14.25	6.46	2.58	16.85	12	7/8-9	9.86	93.0
12"	DA 160	21.85	31.38	17.00	7.36	3.03	20.55	12	7/8-9	11.87	131.4
1 1/2"	DA 52	9.23	12.20	4.74	2.80	1.61	5.49	4	5/8-11	1.67	9.3
2"	DA 52	9.86	13.01	4.74	2.80	1.65	5.49	4	5/8-11	2.07	10.6
2 1/2"	DA 52	10.41	13.91	5.49	2.80	1.7	5.49	4	5/8-11	2.54	11.5
3"	DA 63	11.09	14.83	6.00	3.17	1.78	6.38	4	5/8-11	3.10	13.7
4"	DA 75	12.48	16.97	7.50	3.72	2.05	8.15	8	5/8-11	4.09	25.3
5"	DA 85	13.40	18.40	8.50	4.17	2.14	9.35	8	3/4-10	4.85	31.4
6"	DA 85	14.47	19.94	9.50	4.84	2.19	10.69	8	3/4-10	6.13	42.3
8"	DA 100	16.99	23.88	11.75	5.39	2.38	12.91	8	3/4-10	7.97	57.9

