

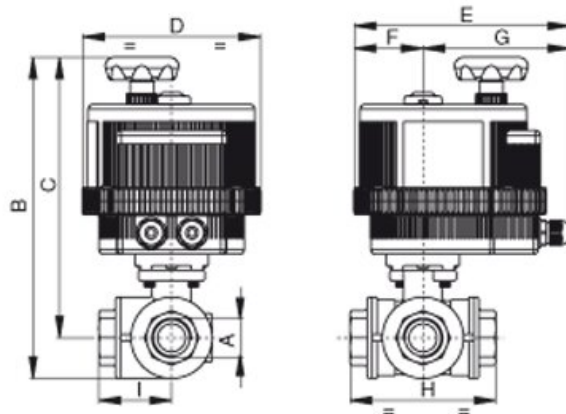
8E066(L)

Electric actuator with 3 way L-port brass ball valve direct mount (RB 355L).

OPERATING CONDITIONS: fluid H₂O - T 68°F



Technical specifications



SIZE	PSI	B	C	D	E	F	G	H	I	ACT.
-	400	9.98	9.03	6.18	7.50	2.38	5.12	3.74	1.87	VB 030
-	400	11.16	9.74	6.18	7.50	2.38	5.12	4.86	2.43	VB 030
-	400	10.43	9.25	6.18	7.50	2.38	5.12	4.39	2.20	VB 030
-	400	7.44	6.77	4.84	6.41	1.67	4.74	2.87	1.44	VB 015
-	400	7.44	6.77	4.84	6.41	1.67	4.74	2.64	1.32	VB 015
-	400	13.05	11.36	7.38	8.43	2.66	5.77	5.73	2.87	VB 060
-	400	14	11.81	7.28	8.43	2.66	5.77	6.93	3.47	VB 060
-	400	14.04	11.81	7.28	8.43	2.66	5.77	7.08	3.54	VB 060
-	400	7.63	6.86	4.84	6.41	1.67	4.74	3.19	1.60	VB 015
-	400	7.44	6.77	4.84	6.41	1.67	4.74	2.64	1.32	VB 015

