

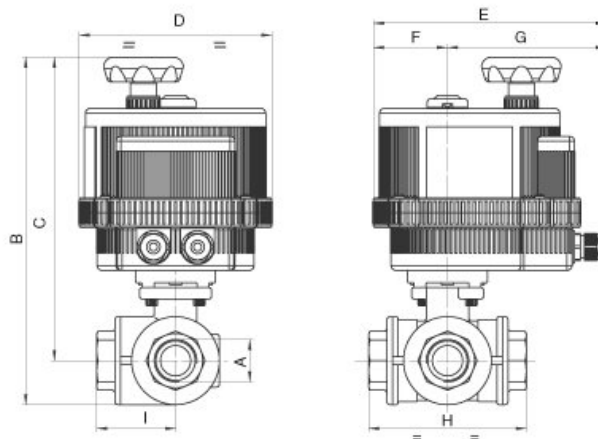
## 8E071(T)

Electric actuator with 3 way "T" stainless steel ball valve, full port, direct mount (Bonomi NA 956).

OPERATING CONDITIONS: fluid H<sub>2</sub>O - T 68°F



### Technical specifications



SIZE	PSI	DN - A STANDARD PORT	B	C	D	E	F	G	H	I	ACT.
1/4"	1000	-	7.80	7.02	4.84	6.41	1.67	4.74	2.83	1.41	VB 015
3/8"	1000	1/2"	7.80	7.02	4.84	6.41	1.67	4.74	2.83	1.41	VB 015
1/2"	1000	3/4"	9.96	9.05	6.18	7.50	2.38	5.12	3.26	1.63	VB 030
3/4"	1000	1"	10.15	9.05	6.18	7.50	2.38	5.12	3.89	1.94	VB 030
1"	1000	1"1/4	11.97	10.64	7.28	8.43	2.66	5.77	4.40	2.20	VB 060
1"1/4	800	1"1/2	12.47	10.94	7.28	8.43	2.66	5.77	4.92	2.46	VB 060
1"1/2	800	2"	13.90	12.02	8.31	9.33	3.31	6.02	5.86	2.93	VB 110
2"	800	-	15.13	12.77	8.31	9.33	3.31	6.02	6.85	3.42	VB 190

