

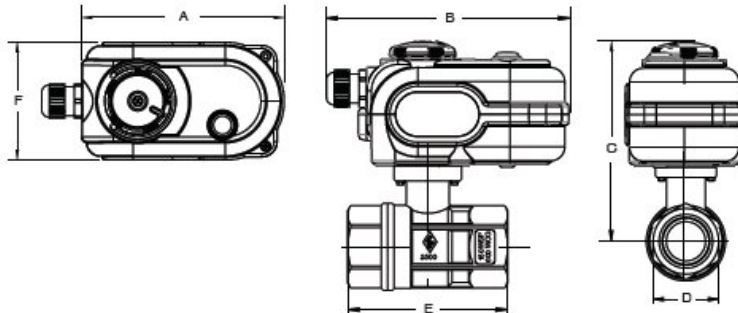


8E867

Electric actuator with 2 way stainless steel ball valve direct mount (Vapres 700076).

OPERATING CONDITIONS: fluid H₂O - T 68°F

Technical specifications



SIZE	PSI	A	B	C	D	E	F
-	1000	5.11	6.14	4.94	1.61	3.54	2.95
-	1000	5.11	6.14	5.08	1.97	3.93	2.95
-	1000	5.11	6.14	4.43	1.06	2.63	2.95
-	1000	5.11	6.14	4.67	1.02	2.56	2.95
-	1000	5.11	6.14	4.51	1.26	3.07	2.95
-	1000	5.11	6.14	4.67	1.02	2.56	2.95