

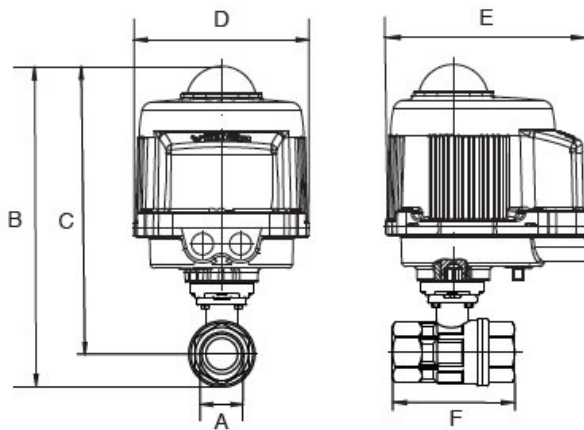
M8E064

Metal electric actuator with 2 way brass ball valve direct mount (RB 250N).

OPERATING CONDITIONS: fluid H₂O - T 68°F



Technical specifications



SIZE	PSI	A	B	C	D	E	F	ACT.
-	600	1.00	10.59	9.65	6.34	7.36	3.35	VB 030
-	600	1.50	11.79	10.47	6.34	7.36	1.13	VB 030
-	600	1.25	10.91	9.9	6.34	7.36	3.66	VB 030
-	600	.500	9.77	9.09	6.34	7.36	2.64	VB 030
-	600	.250	9.77	9.09	6.34	7.36	2.64	VB 030
-	600	2.00	12.51	11.00	6.34	7.36	4.80	VB 030
-	600	2.50	14.39	12.56	6.93	7.76	6.10	VB 060
-	600	3.00	15.20	13.18	6.93	7.76	6.89	VB 060
-	600	.750	9.77	9.25	6.34	7.36	2.99	VB 030
-	600	.375	9.77	9.09	6.34	7.36	2.64	VB 030
-	600	4.00	17.54	15.13	10.47	10.63	8.03	VB 110