

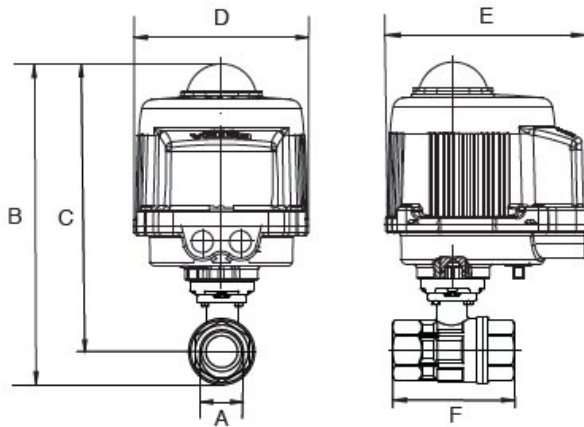
M8E067

Metal electric actuator with 2 way stainless steel ball valve direct mount (Vapres 700076).

OPERATING CONDITIONS: fluid H2O - T 68°F



Technical specifications



SIZE	PSI	A	B	C	D	E	F	ACT.
-	1000	1.00	10.94	9.62	6.34	7.36	3.54	VB 030
-	1000	1.50	12.26	10.35	6.34	7.36	4.40	VB 030
-	1000	1.25	11.34	9.79	6.34	7.36	3.93	VB 030
-	1000	.500	10.14	9.11	6.34	7.36	2.63	VB 030
-	1000	.250	10.33	9.11	6.34	7.36	2.56	VB 030
-	1000	2.50	16.94	14.62	10.63	10.47	6.32	VB 110
-	1000	2.00	13.01	10.71	6.34	7.36	5.31	VB 030
-	1000	3.00	17.76	15.02	10.63	10.47	7.01	VB 110
-	1000	.750	10.22	9.19	6.34	7.36	3.07	VB 030
-	1000	.375	10.33	9.11	6.34	7.36	2.56	VB 030

