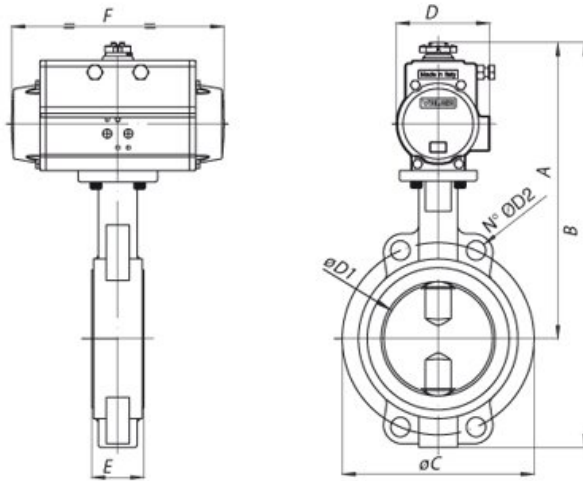


SR500S

DA-SR actuator, direct mount, Wafer body EPDM seats, SS disc butterfly valve.



Technical specifications



SIZE	ACT.	A	B	C	D	E	F	N°	ØD2	ØD1	WT/LBS
12"	*	-	-	17.00	-	-	-	4	1.00	11.87	-
10"	SR 200	22.09	30.08	14.25	8.58	2.58	22.64	4	1.00	9.86	153
1 1/2"	SR 75	10.32	13.29	4.74	3.72	1.61	8.15	4	0.75	1.67	11.7
2"	SR 75	10.95	14.10	4.74	3.72	1.65	8.15	4	0.75	2.07	12.4
2 1/2"	SR 75	11.50	15.00	5.49	3.72	1.76	8.15	4	0.75	2.54	14.00
3"	SR 85	12.19	15.93	6.00	4.17	1.78	9.35	4	0.75	3.10	17.7
4"	SR 100	13.44	17.93	7.50	4.84	2.05	10.69	4	0.75	4.09	25.2
5"	SR 115	15.09	20.09	8.50	5.39	2.14	12.91	4	0.87	4.85	39.3
6"	SR 125	17.01	22.48	9.50	6.46	2.19	16.85	4	0.87	6.13	62.5
8"	SR 160	18.82	25.71	11.75	7.36	2.38	20.55	4	0.87	7.97	94.1

