



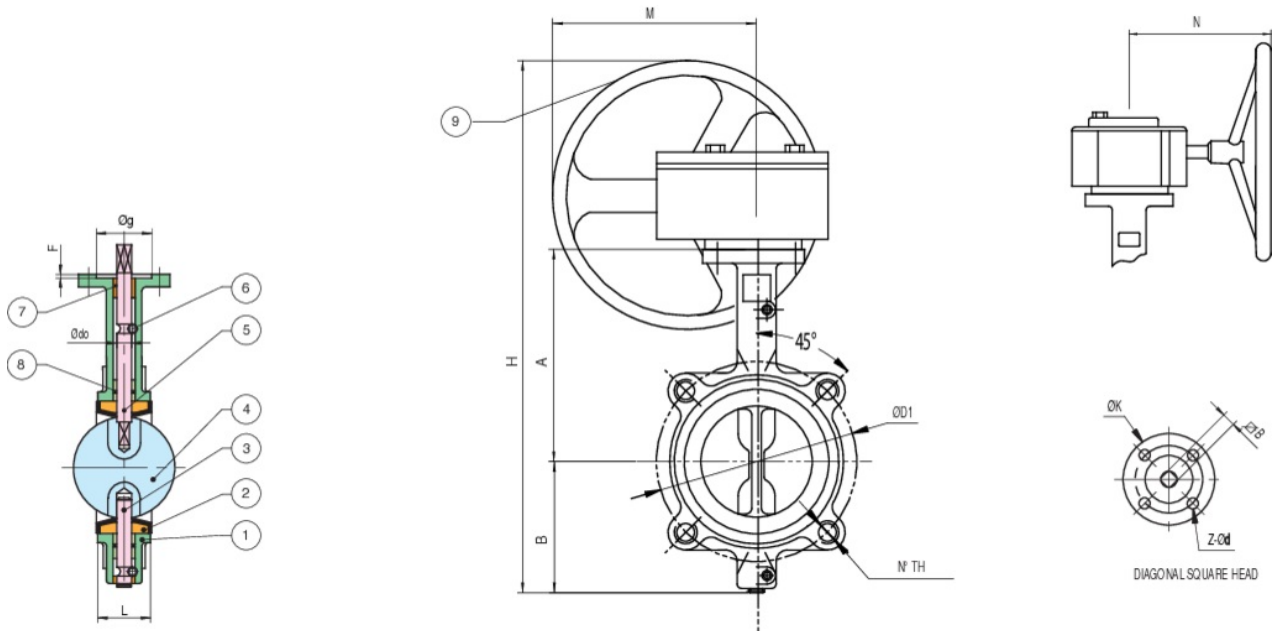
GN501S

CF8M SS DISC

Gear operated Lug butterfly valves full port.

- Epoxy coated ductile iron lug body.
 - Pressure rating: 250 psi water (40°F to 80°F).
 - Food grade EPDM resilient seat -30°F to 250°F.
 - Low turn ratio.
 - API609 face to face flange.
 - Floating dual shaft disc design.
 - IP54 enclosure.
 - MSS SP 67 compliant.
 - No pins in disc prevent potential leak points.
 - NSF certified for drinking water service (EPDM seats only).
 - Dead end service to 100 psi.
- G531S: VITON® SEATS - size 2" to 12".
G541N-G541S: BUNA-N SEATS - size 2" to 12".

Technical specifications



POSITION	PART NAME	MATERIAL	N.° PIECES
1	BODY	DUCTILE IRON	1
2	SEAT	EPDM (30F TO 250F)	1
3	LOWER SHAFT	AISI 416	1
4	DISC G501S	STAINLESS STEEL	1
5	UPPER SHAFT	AISI 416	1
6	LOCATING PIN	CARBON STEEL	1
7	BUSHING	PTFE	1
8	O-RING	EPDM	1
9	GEAR	CAST IRON	1

SIZE	ISO 5211	ØB	A	B	L	H	M	N	ØDO	ØK	Z-ØD	ØG	F	ØD1	N°-TH	WEIGHT LBS	SEAT TORQUE 100 PSI	SEAT TORQUE 200 PSI	CV (GPM@ 1 PSI) 50% OP	CV (GPM@ 1 PSI) 100% OP
1 1/2"	F05	9 mm	7.24	2.97	1.61	13.12	4.75	6.00	0.50	3.03	4-0.28	1.38	0.12	4.74	4-5/8"-11	19.1	111	133	35	108
2"	F05	9 mm	7.60	3.15	1.65	13.93	4.75	6.00	0.50	3.03	4-0.28	1.38	0.12	4.74	4-5/8"-11	19.9	126	146	49	146
2 1/2"	F05	9 mm	8.15	3.50	1.76	14.83	4.75	6.00	0.50	3.03	4-0.28	1.38	0.12	5.49	4-5/8"-11	20.8	134	167	84	284
3"	F05	9 mm	8.38	3.74	1.78	15.31	4.75	6.00	0.50	3.03	4-0.28	1.38	0.12	6.00	4-5/8"-11	21.9	205	223	128	547
4"	F07	11 mm	9.13	4.49	2.05	16.8	4.75	6.00	0.62	3.54	4-0.35	2.17	0.12	7.50	8-5/8"-11	31.3	339	386	195	844
5"	F07	14 mm	9.60	5.00	2.14	17.78	4.75	6.00	0.75	3.54	4-0.35	2.17	0.12	8.50	8-3/4"-10	35.5	523	602	320	1375
6"	F07	14 mm	10.16	5.47	2.20	18.81	4.75	6.00	0.75	3.54	4-0.35	2.17	0.12	9.50	8-3/4"-10	42.8	677	996	418	1882
8"	F10	17 mm	12.01	6.89	2.34	24.73	8.35	9.84	0.87	4.92	4-0.47	2.76	0.14	11.75	8-3/4"-10	68.6	1205	1864	745	3340
10"	F10	22 mm	13.27	7.99	2.58	27.03	8.35	9.84	1.12	4.92	4-0.47	2.76	1.40	14.25	12-7/8"-9	87.3	1890	3140	1264	5475
12"	F10	22 mm	15.04	9.53	3.03	30.34	9.06	8.94	1.24	5.51	4-0.47	2.76	1.40	17.00	12-7/8"-9	121.3	2808	4767	1905	8270

WARNING: This product can expose you to chemicals including lead, which is known to the State of California to cause cancer and birth defects or other reproductive harm. For more information go to www.p65warnings.ca.gov.

Certifications



NSF

NSF/ANSI
61, 332
EPDM SEATS
ONLY

NSF-ANSI