



956N (T) - 966N (L) FULL PORT

STAINLESS STEEL DIRECT MOUNT 3-WAY BALL VALVE

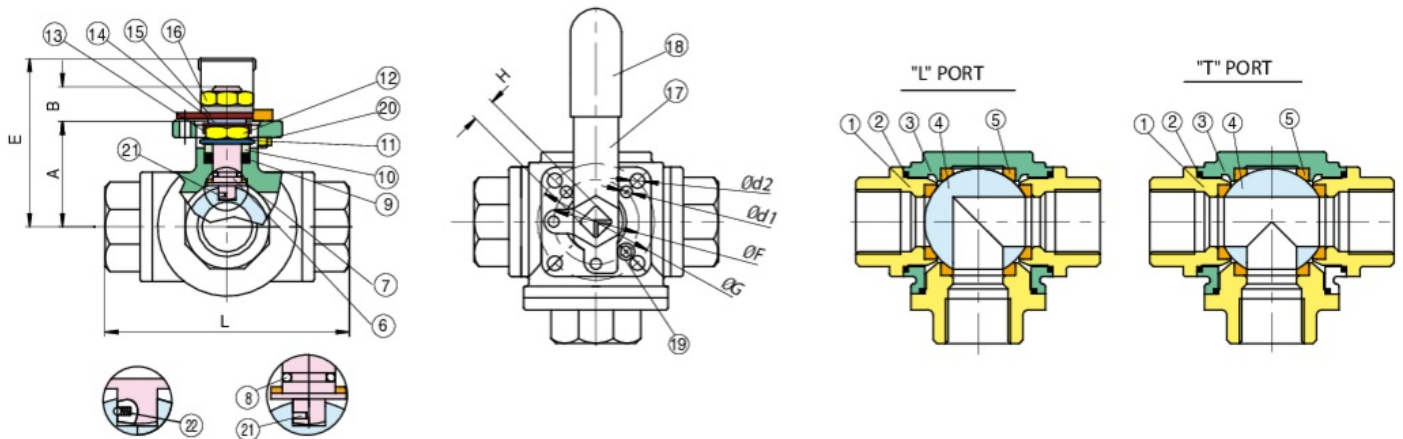
Direct mount stainless steel three way ball valve FNPT threaded, full and reduced port.

- Working pressure is 1000 psi (1/4" to 1"), 800 psi (1 1/4" - 3").
- Temperature range -20°F to 450°F.
- Self adjusting stem packing.
- Blow-out proof stem design.
- 100% air tested under water at 80 psi.
- ISO 5211 mounting pad/square stem.
- Locking handle.

955N - 965N: STANDARD PORT - size 1/2" to 3".

956N - 966N: FULL PORT - size 1/4" to 2".

Technical specifications



POSITION	PART NAME	MATERIAL	N.º PIECES
1	END CAP	A351 CF8M	3
2	GASKET	PTFE	3
3	BODY	A351 CF8M	1
4	BALL	AISI 316	1
5	SEATS	RTFE	4
6	STEM	AISI 316	1
7	STEM SEAL	RPTFE	1
8	O-RING	FKM (VITON)	1
9	STEM PACKING	PTFE	1
10	GLAND	AISI 304	1
11	DISK WASHER	AISI 301	2
12	STEM NUT	AISI 304	1
13	NUT STOP	AISI 304	1
14	SPACE WASHER	AISI 304	1
15	PLATE STOP	AISI 304	1
16	HANDLE NUT	AISI 304	1
17	HANDLE	AISI 304	1
18	HANDLE SLEEVE	VINYL	1
19	STOPPER	AISI 304	1
20	PIN NUT	AISI 304	1
21	INSERT PIN	AISI 316	1
22	ANTISTATIC DEVICE	AISI 316	1

SIZE	A	B	ØD1	ØD2	E	ØF	ØG	H MM	L	PORT	PSI	ISO 5211	CV	WEIGHT LBS	TORQUE IN-LBS
1/4"	1.45	0.40	0.23	0.23	2.44	1.41	1.65	9	2.83	0.43	1000	F03/F04	7	1.45	105
3/8"	1.45	0.40	0.23	0.23	2.44	1.41	1.65	9	2.83	0.47	1000	F03/F04	7	1.45	105
1/2"	1.65	0.45	0.23	0.23	2.51	1.41	1.65	9	3.26	0.59	1000	F03/F04	11	1.90	138
3/4"	1.65	0.59	0.23	0.27	3.22	1.65	1.96	11	3.89	0.78	1000	F04/F05	20	3.25	184
1"	2.18	0.55	0.23	0.27	3.50	1.65	1.96	11	4.40	0.98	1000	F04/F05	30	4.90	323
1 1/4"	2.48	0.64	0.27	0.36	3.85	1.96	2.75	14	4.92	1.25	800	F05/F07	47	7.10	461
1 1/2"	2.88	0.62	0.27	0.36	4.25	1.96	2.75	14	5.86	1.49	800	F05/F07	70	11.80	633
2"	3.63	0.96	-	0.36	5.19	-	2.75	14	6.64	1.97	800	F07	156	21.40	1037