

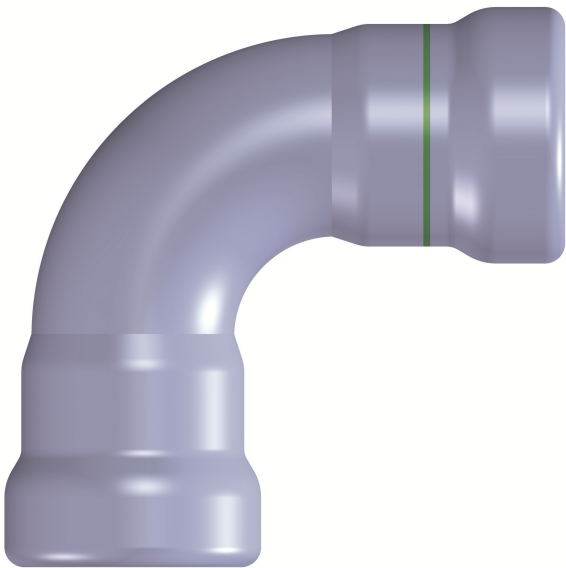


**BONOMI**  
NORTH AMERICA

**BONOMI**  
**press**  
**max**

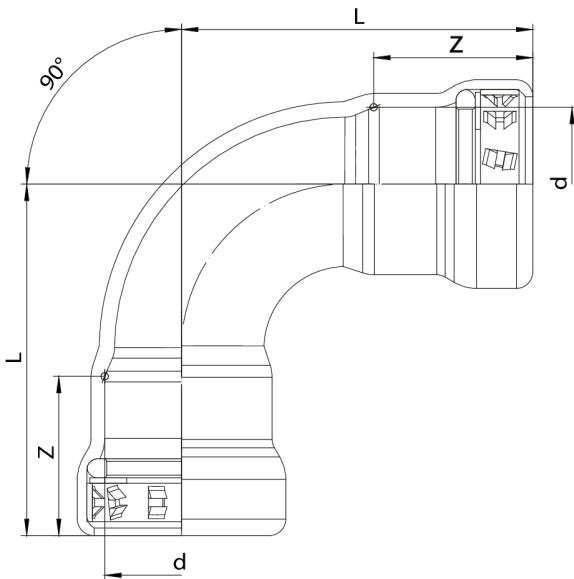
**5M12**

Carbon steel P/P 90° elbow from 1/2" to 4".



**NEW**

## Technical specifications



SIZE	L	Z
1/2"	2.24	1.06
3/4"	2.52	1.14
1"	3.07	1.34
1 1/4"	3.82	1.81
1 1/2"	4.13	1.89
2"	4.78	1.97