

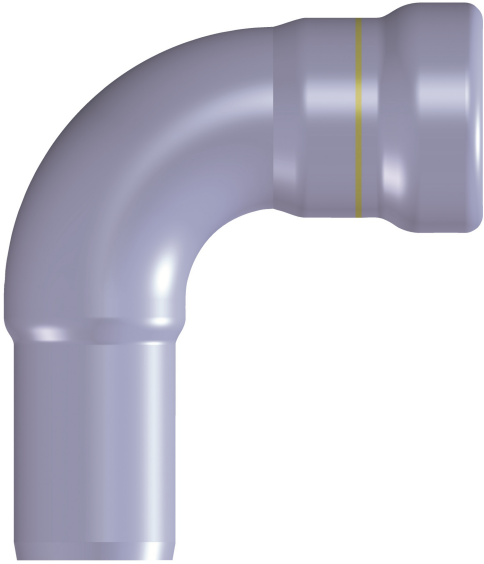


BONOMI
NORTH AMERICA

BONOMI
press
max
GAS

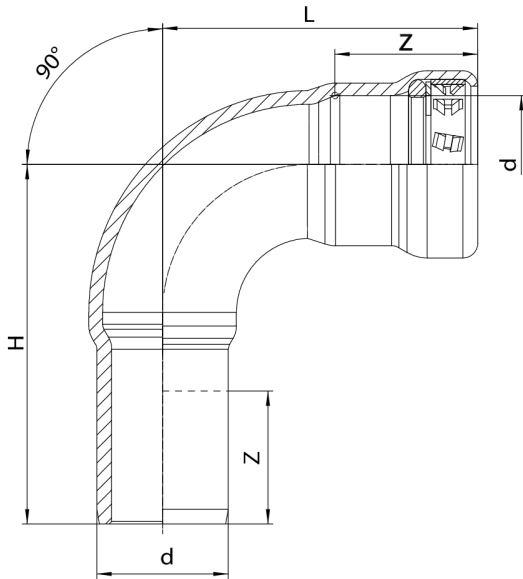
5L13

Carbon steel FTG/P 90° elbow from 1/2" to 2".



NEW

Technical specifications



SIZE	L	H	Z
1/2"	2.24	2.56	1.06
3/4"	2.52	2.87	1.14
1"	3.07	3.39	1.34
1 1/4"	3.82	4.04	1.81
1 1/2"	4.13	4.21	1.89
2"	4.78	5.08	1.97