



BONOMI
NORTH AMERICA

BONOMI
press
max
GAS

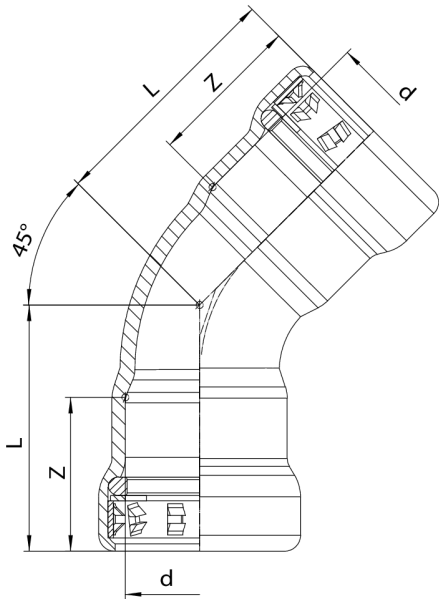
5L14

Carbon steel P/P 45° elbow from 1/2" to 4".



NEW

Technical specifications



SIZE	L	Z
1/2"	1.67	1.06
3/4"	1.83	1.14
1"	2.20	1.34
1 1/4"	2.78	1.81
1 1/2"	2.99	1.89
2"	3.29	1.97