

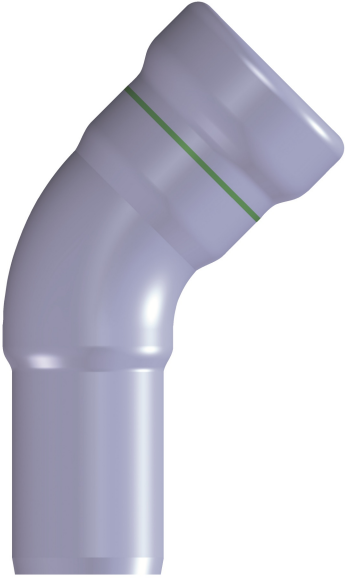


**BONOMI**  
NORTH AMERICA

**BONOMI**  
**press**  
**max**

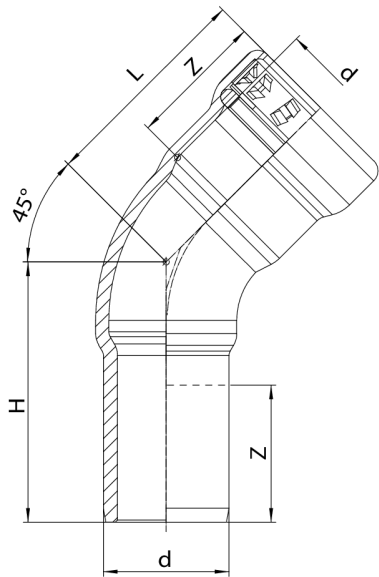
**5M15**

Carbon steel FTG/P 45° elbow, from 1/2" to 2".



**NEW**

## Technical specifications



SIZE	L	H	Z
1/2"	1.67	1.99	1.06
3/4"	1.83	2.19	1.14
1"	2.20	2.52	1.34
1 1/4"	2.78	2.99	1.81
1 1/2"	2.99	3.07	1.89
2"	3.29	3.58	1.97