

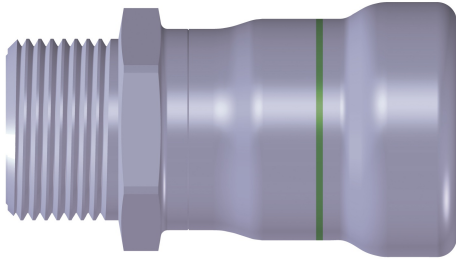


**BONOMI**  
NORTH AMERICA

**BONOMI**  
**press**  
**max**

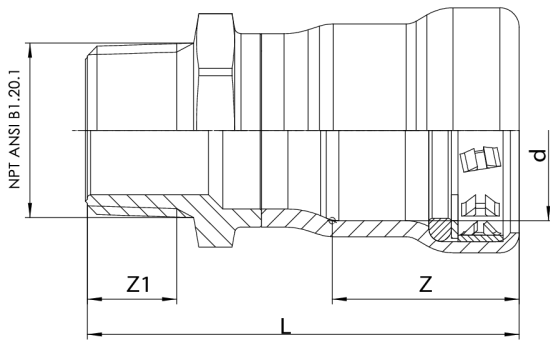
**5M00**

Carbon steel adapter MPT/P from 1/2" to 4".



**NEW**

## Technical specifications



D X NPT	L	Z	Z1
1 1/2" x 1 1/2"	3.88	1.89	0.72
1 1/4" x 1 1/4"	3.64	1.81	0.71
1" x 1"	3.01	1.34	0.68
1/2" x 1/2"	2.52	1.06	0.53
2" x 2"	3.92	1.97	0.76
3/4" x 3/4"	2.64	1.14	0.55

