

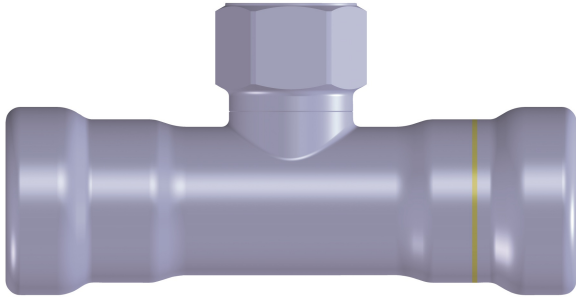


**BONOMI**  
NORTH AMERICA

**BONOMI**  
**press**  
**max**  
GAS

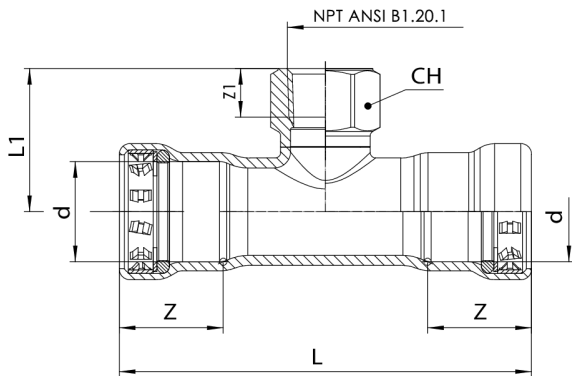
**5L31**

Carbon steel P/P/FPT tee from 1/2" to 2".



**NEW**

## Technical specifications



<b>D X D X NPT</b>	<b>L</b>	<b>Z</b>	<b>Z1</b>	<b>L1</b>
1 1/4" x 1 1/4" x 1/2"	6.46	1.81	0.54	1.85
1" x 1" x 1/2"	5.16	1.34	0.54	1.71
1 1/2" x 1 1/2" x 3/4"	6.89	1.89	0.55	1.97
1 1/4" x 1 1/4" x 3/4"	6.46	1.81	0.55	1.89
1" x 1" x 3/4"	5.16	1.34	0.55	1.73
2" x 2" x 1/2"	7.60	1.97	0.54	2.24
2" x 2" x 3/4"	7.60	1.97	0.55	2.28
3/4" x 3/4" x 3/4"	4.53	1.14	0.54	1.57
3/4" x 3/4" x 3/4"	4.53	1.14	0.55	1.57

