

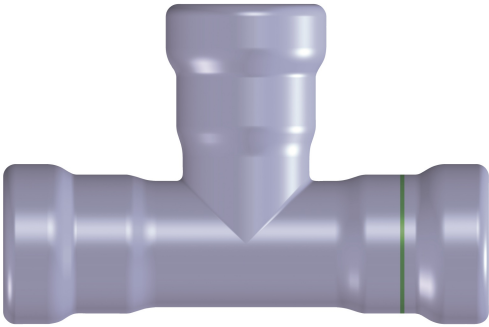


BONOMI
NORTH AMERICA

BONOMI
press
max

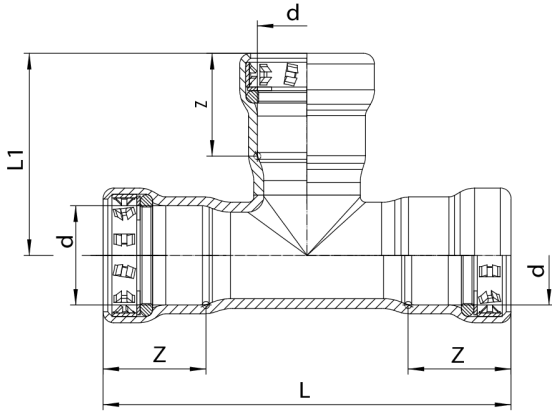
5M32

Carbon steel P/P/P tee from 1/2" to 2".



NEW

Technical specifications



SIZE	L	Z	L1
1/2"	4.09	1.06	2.01
3/4"	4.53	1.14	2.24
1"	5.16	1.34	2.58
1 1/4"	6.46	1.81	3.21
1 1/2"	6.89	1.89	3.48
2"	7.60	1.97	3.80